
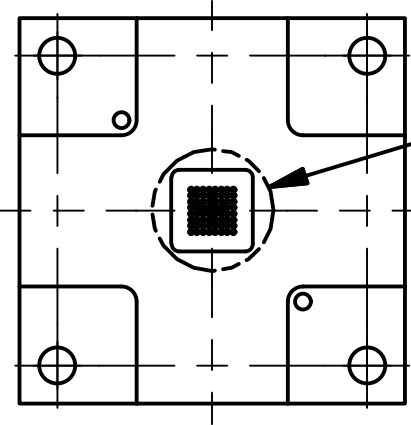
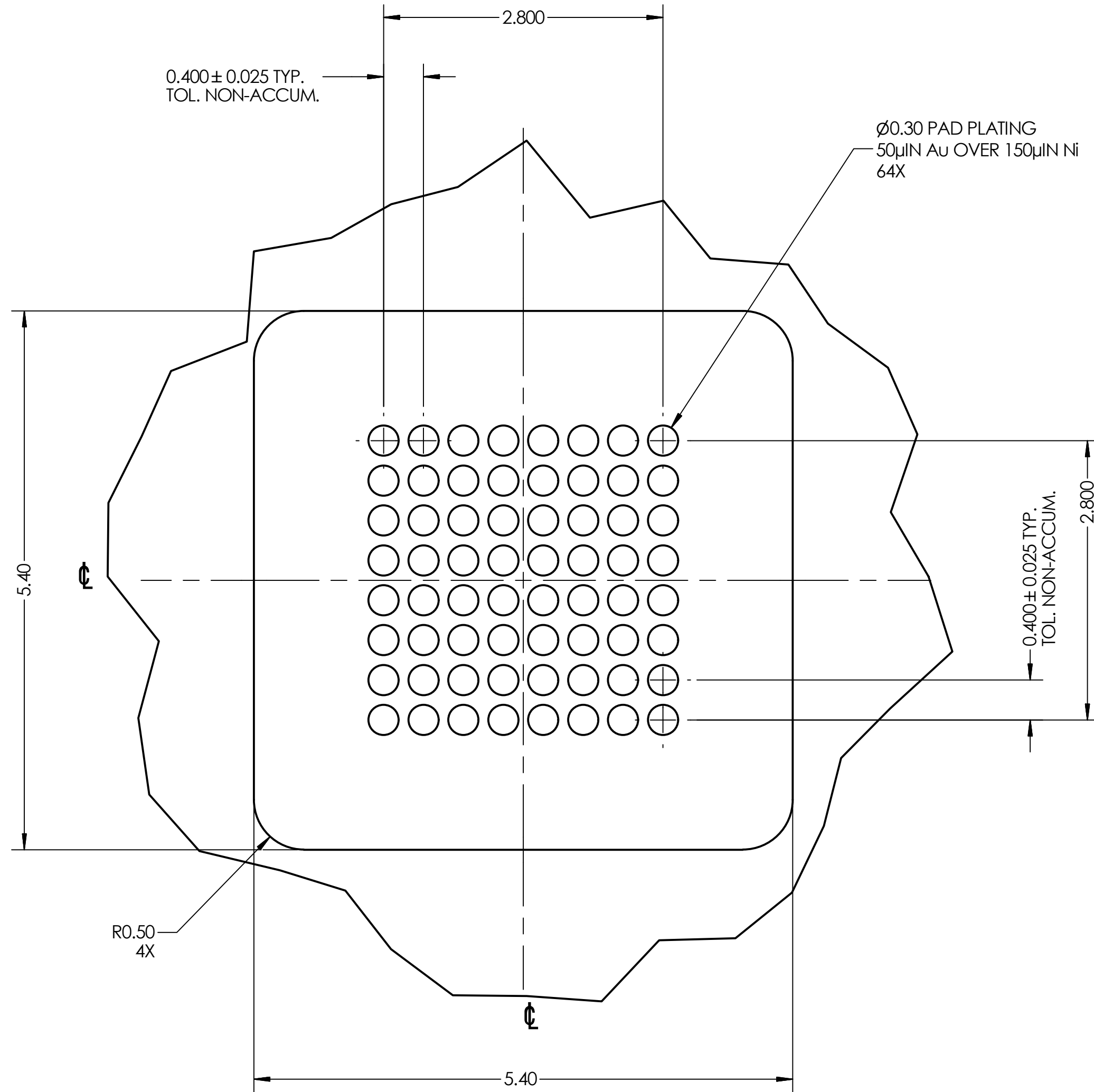


TOP VIEW  
SCALE 5: 1


UNLESS OTHERWISE SPECIFIED DIMENSIONS ARE IN MILLIMETERS TOLERANCES DECIMALS .X ± .1 .XX ± .05 .XXX ± .030 ANGLES ±1'	DRAWN <b>V Mojica</b>	11/22/2019	 Contech Solutions Incorporated 631 Montague avenue San Leandro, Ca 94577		
	CHECKED	1/31/2020			
	QA		TITLE CUSTOM SOCKET DRAWING CSCSP64-0.4-KG1-UFA-ON4		
	MFG		SIZE <b>C</b>	DWG NO CSCSP64-0.4-KG1-UFA-ON4	REV <b>A2</b>
	APPROVED		SCALE	SHEET 1 OF 9	
MATERIAL					

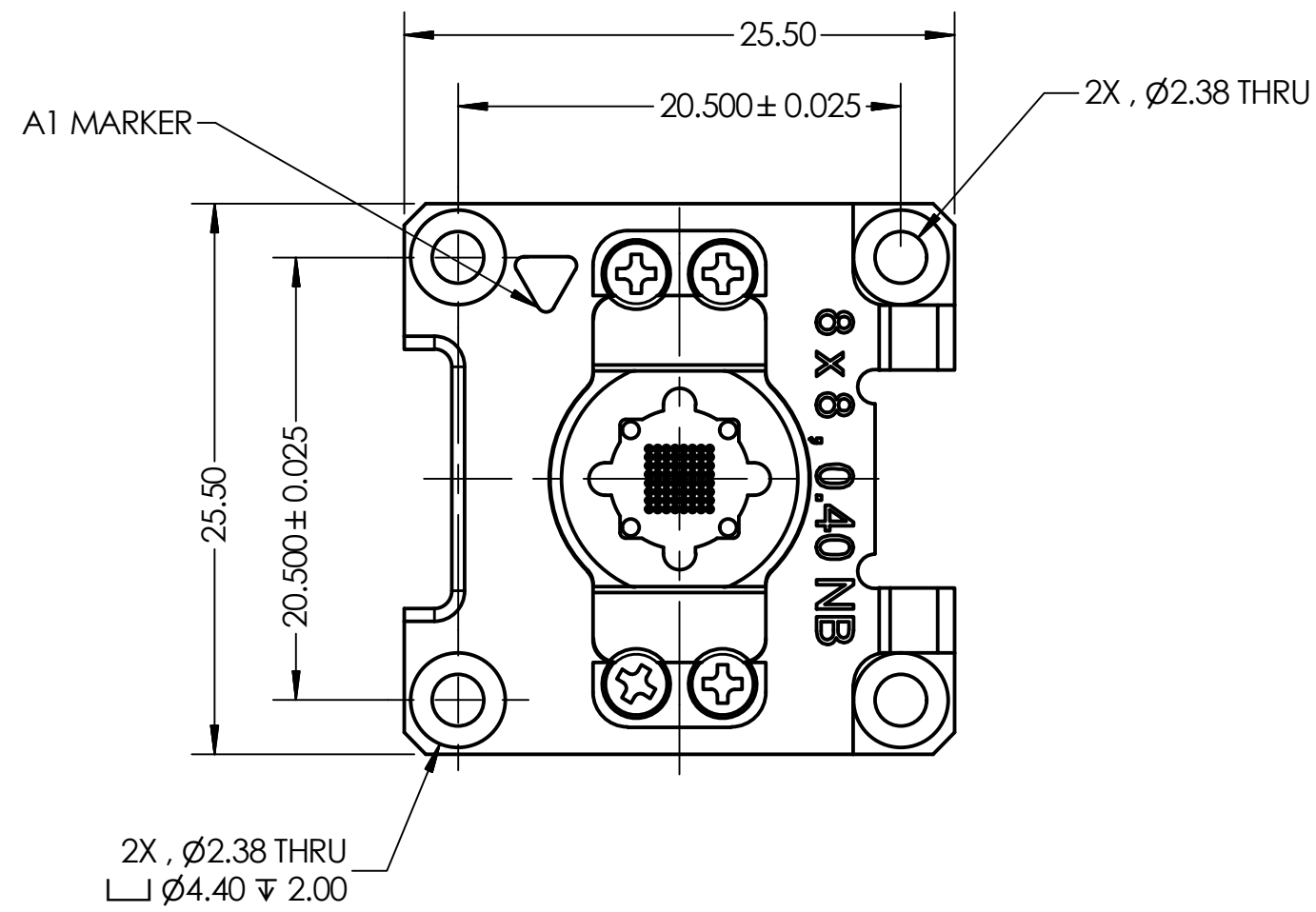


TOP VIEW  
SCALE 2:1

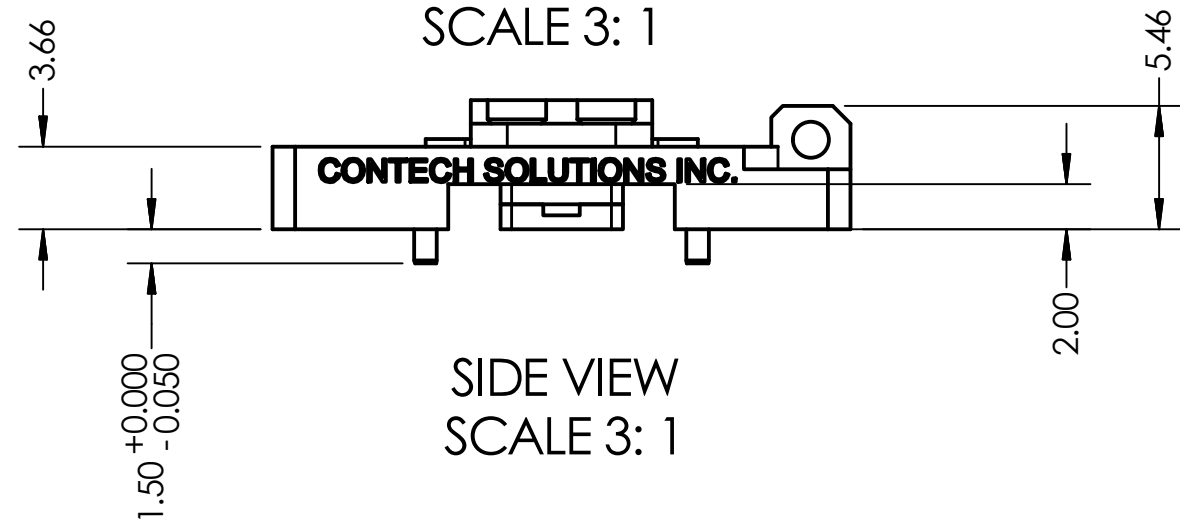


DETAIL A  
SCALE 25:1

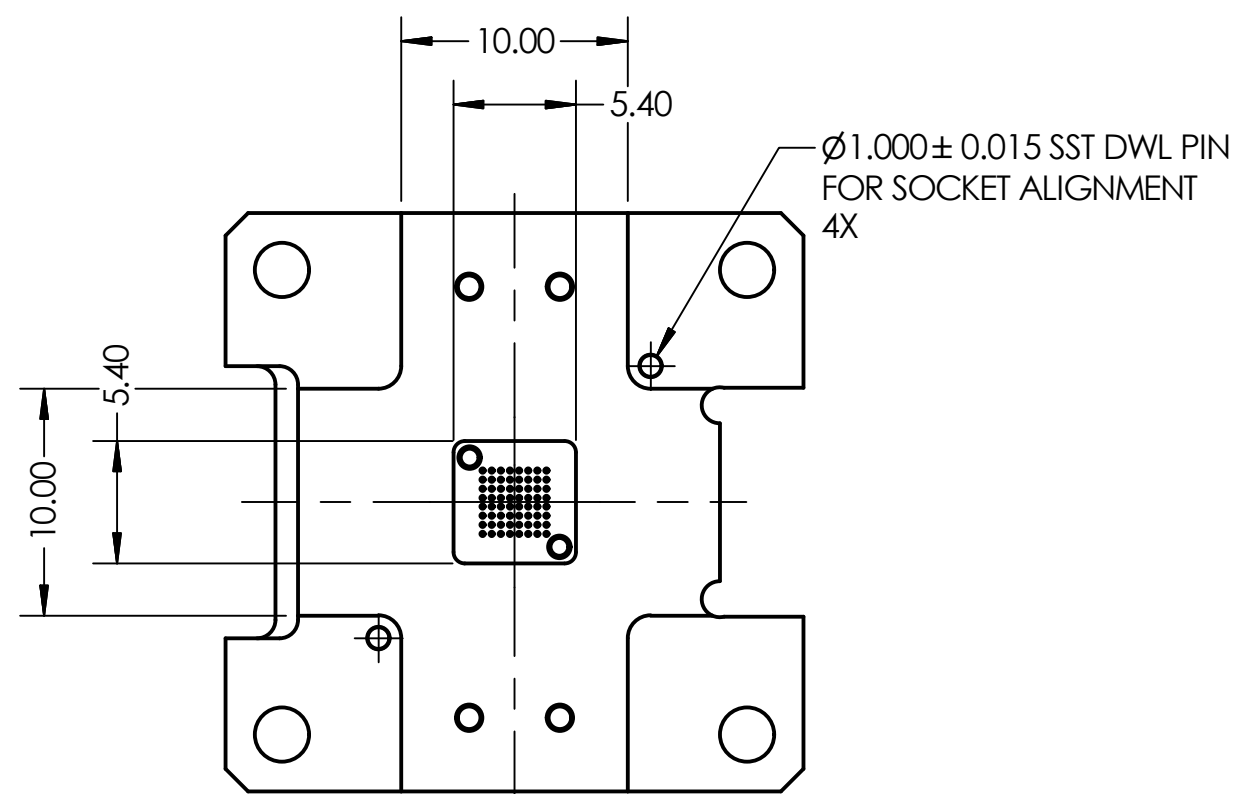
<small>UNLESS OTHERWISE SPECIFIED</small> <small>DIMENSIONS ARE IN MILLIMETERS</small> <small>TOLERANCES</small> <small>DECIMALS</small> <small>.X ± .1</small> <small>.XX ± .05</small> <small>.XXX ± .030</small> <small>ANGLES</small> <small>±1°</small>	<small>DRAWN</small> <b>V Mojica</b>	<small>11/22/2019</small>		<small>Contech Solutions Incorporated</small> <small>631 Montague avenue</small> <small>San Leandro, Ca 94577</small>		
	<small>CHECKED</small>	<small>1/31/2020</small>		<small>TITLE</small> <b>CUSTOM SOCKET DRAWING</b> <b>CSCSP64-0.4-KG1-UFA-ON4</b>		
	<small>QA</small>			<small>SIZE</small> <b>C</b>	<small>DWG NO</small> <b>CSCSP64-0.4-KG1-UFA-ON4</b>	<small>REV</small> <b>A2</b>
	<small>MFG</small>			<small>SCALE</small>	<small>SHEET 2 OF 9</small>	
<small>APPROVED</small>						
<small>MATERIAL</small>						



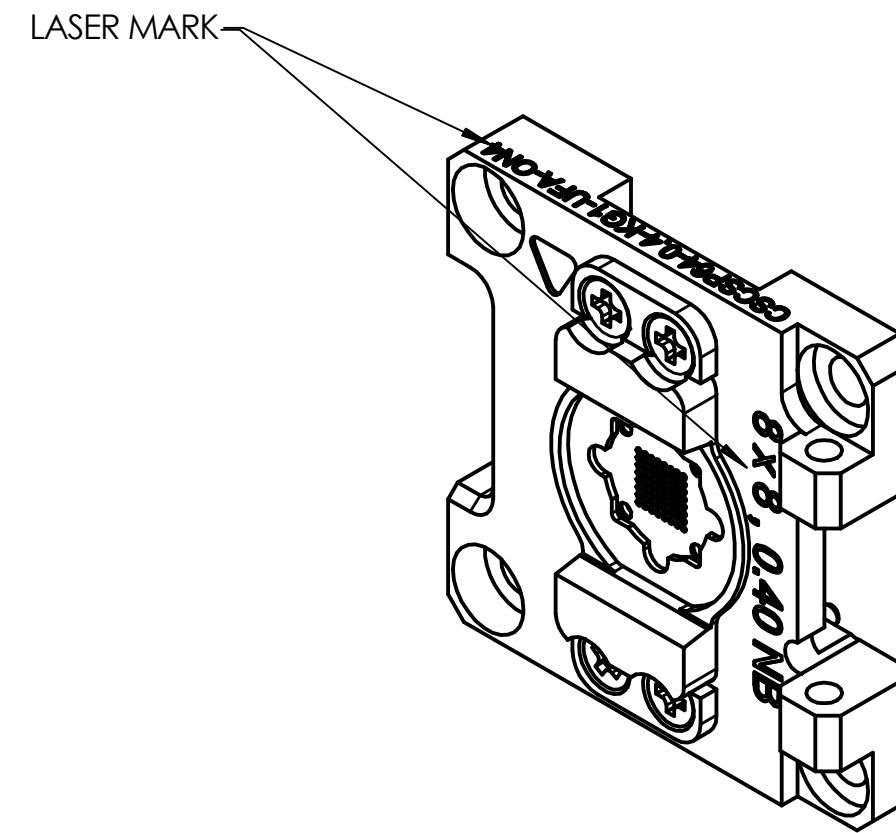
TOP VIEW  
SCALE 3: 1




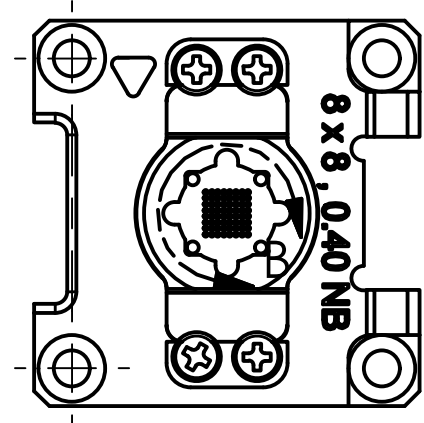
SIDE VIEW  
SCALE 3: 1



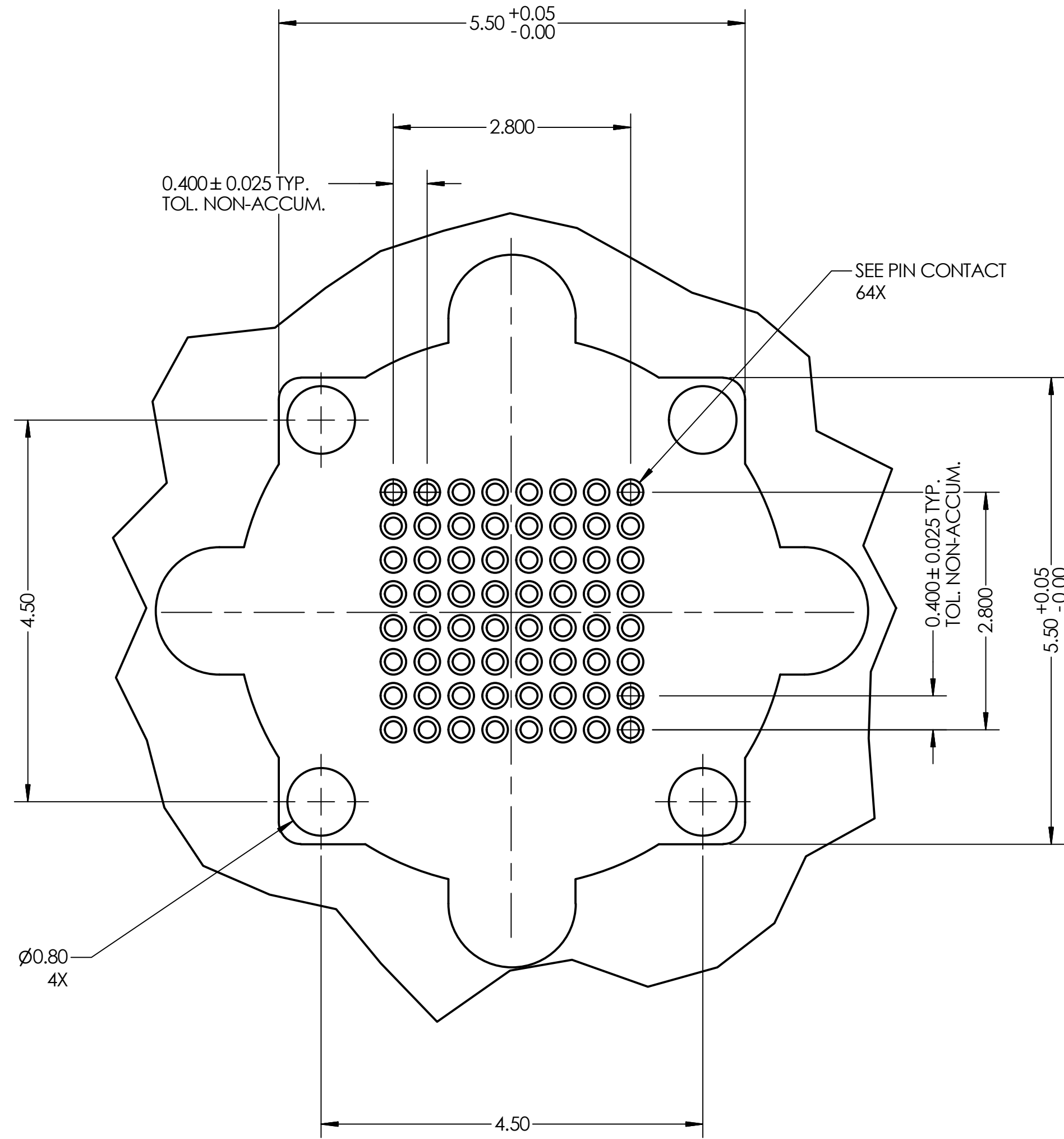
BOTTOM VIEW  
SCALE 3: 1




UNLESS OTHERWISE SPECIFIED DIMENSIONS ARE IN MILLIMETERS TOLERANCES DECIMALS .X ± .1 .XX ± .05 .XXX ± .030 ANGLES ±1'	DRAWN V Mojica	11/22/2019	 Contech Solutions Incorporated 631 Montague avenue San Leandro, Ca 94577	
	CHECKED	1/31/2020		
	QA		TITLE	
	MFG		CUSTOM SOCKET DRAWING CSCSP64-0.4-KG1-UFA-ON4	
APPROVED		SIZE	DWG NO	REV
MATERIAL TORLON 4203		C	CSCSP64-0.4-KG1-UFA-ON4	A2
		SCALE		SHEET 3 OF 9

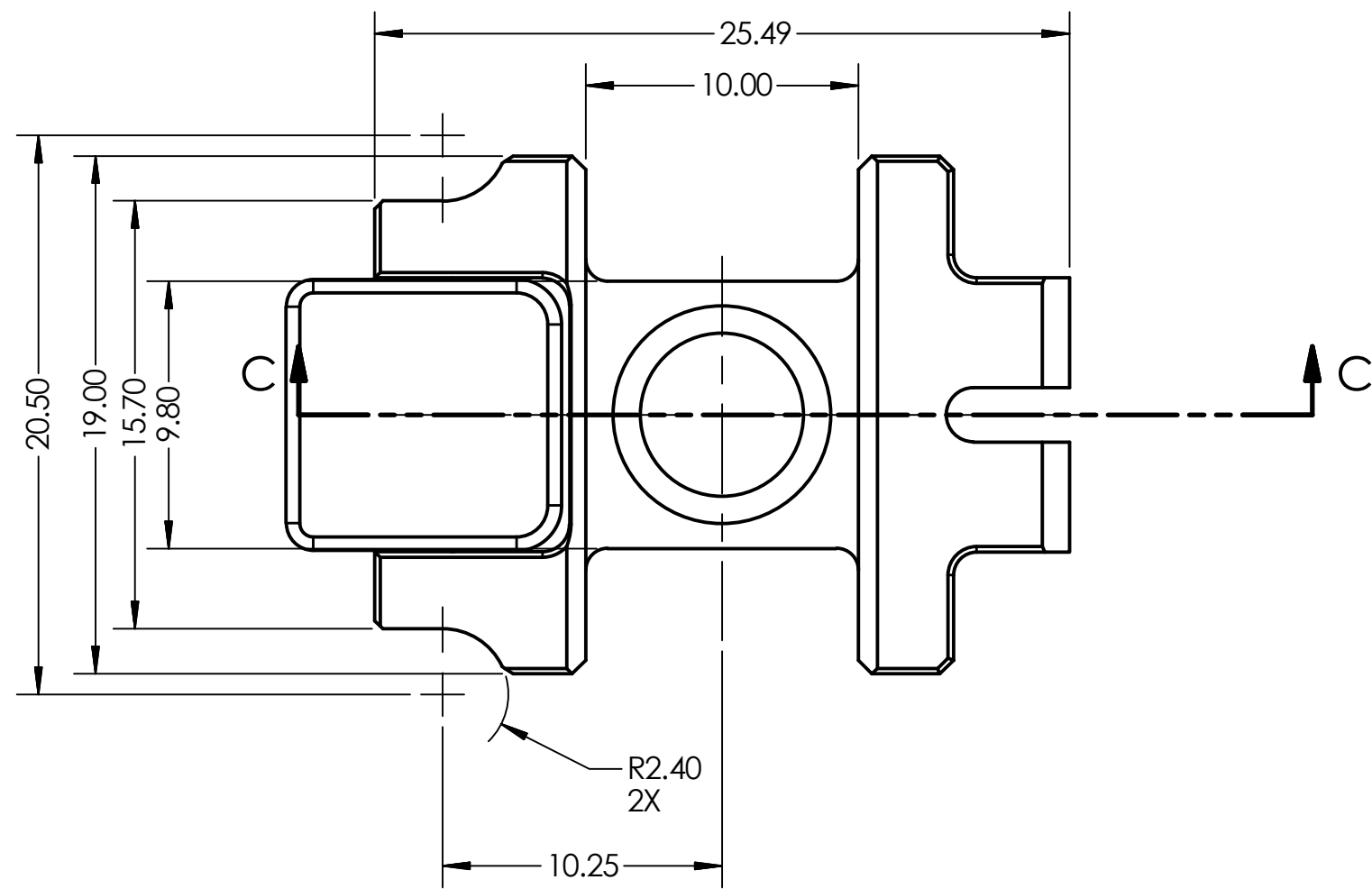


TOP VIEW  
SCALE 2:1

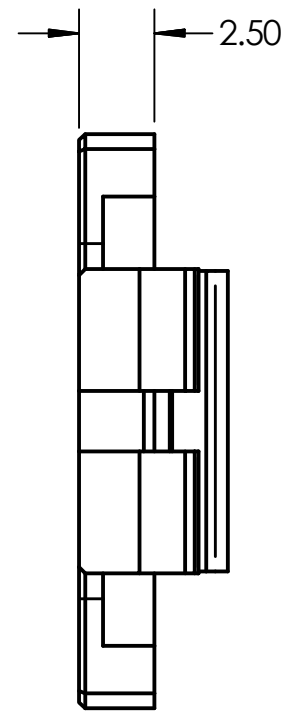


DETAIL B  
SCALE 20:1

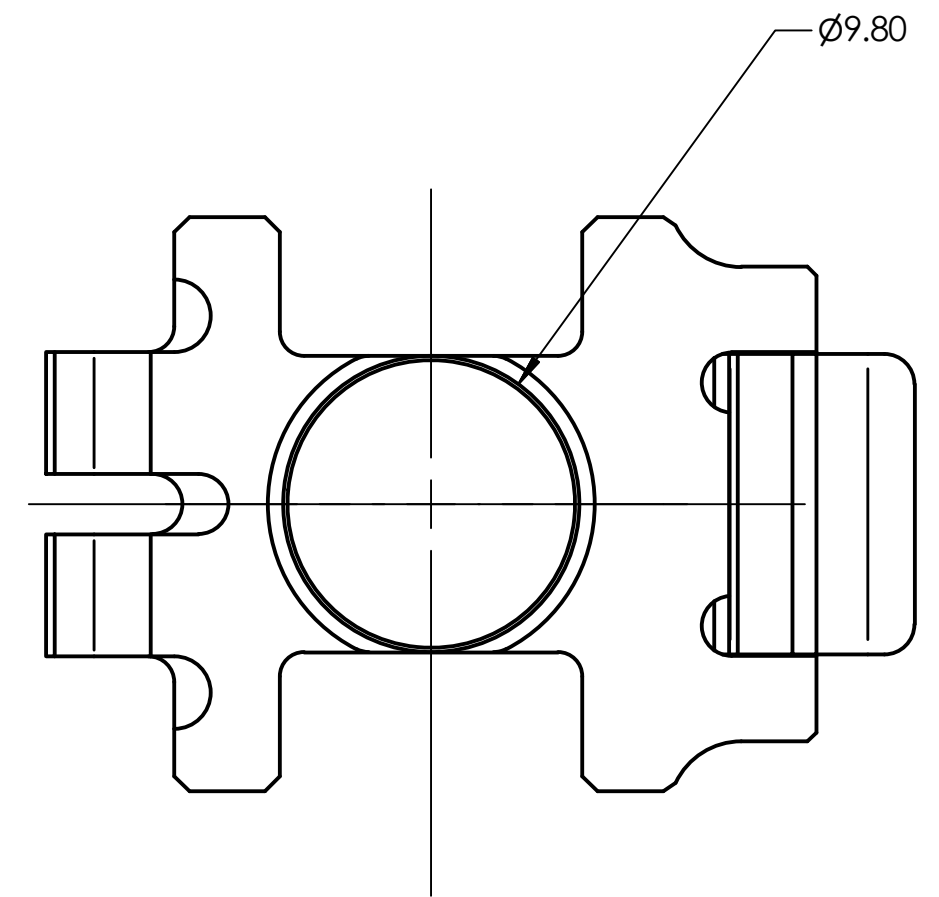
UNLESS OTHERWISE SPECIFIED DIMENSIONS ARE IN MILLIMETERS TOLERANCES DECIMALS .X ± .1 .XX ± .05 .XXX ± .030 ANGLES ±1°	DRAWN <b>V Mojica</b>	11/22/2019	 Contech Solutions Incorporated 631 Montague avenue San Leandro, Ca 94577
	CHECKED	1/31/2020	
	QA		TITLE CUSTOM SOCKET DRAWING CSCSP64-0.4-KG1-UFA-ON4
	MFG		SIZE <b>C</b>
APPROVED		DWG NO CSCSP64-0.4-KG1-UFA-ON4	REV <b>A2</b>
MATERIAL		SCALE	SHEET 4 OF 9



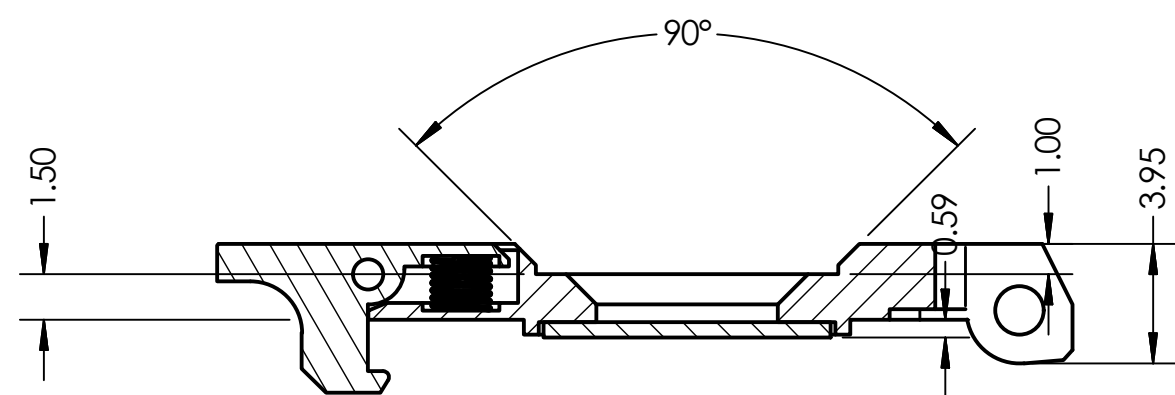
TOP VIEW  
SCALE 4 : 1



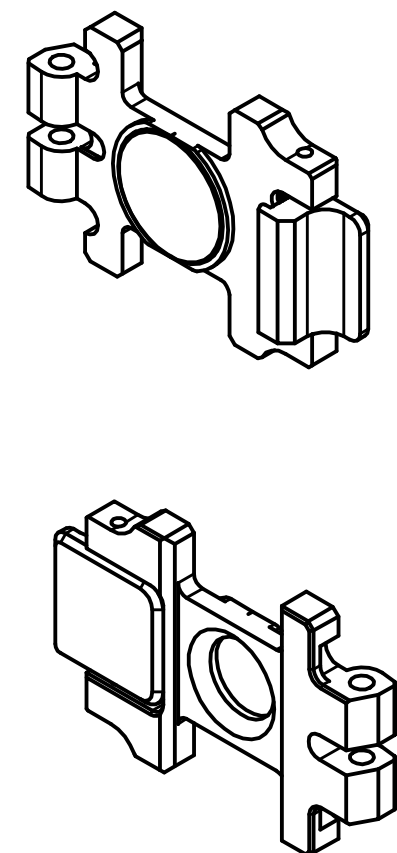
SIDE VIEW  
SCALE 4 : 1




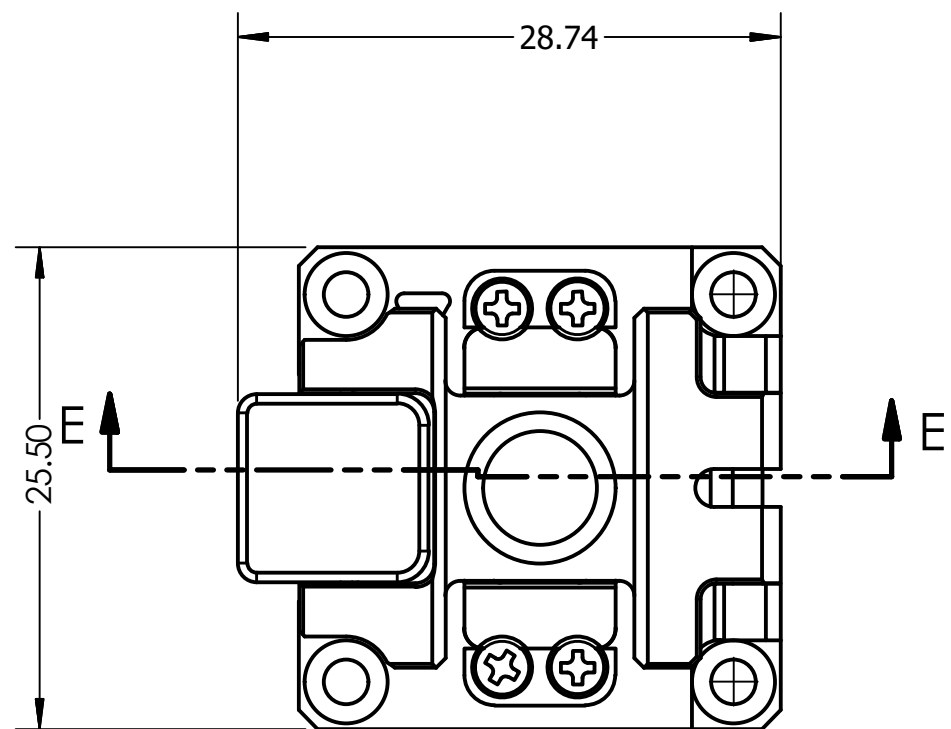
BOTTOM VIEW  
SCALE 4 : 1



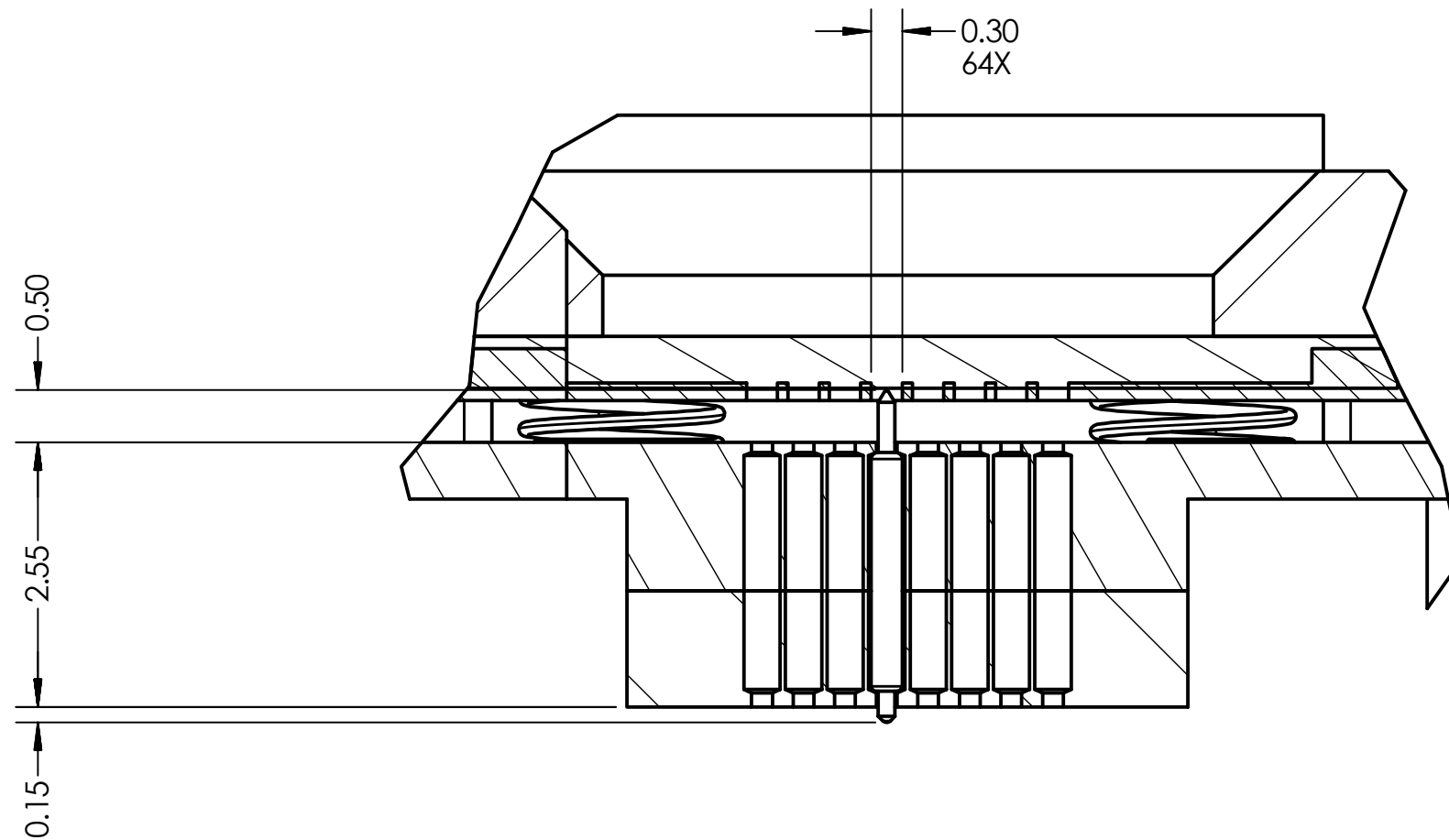
SECTION C-C  
SCALE 4 : 1



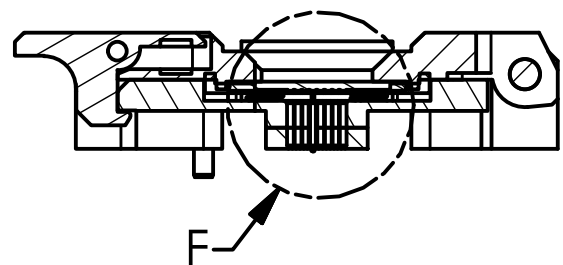
UNLESS OTHERWISE SPECIFIED DIMENSIONS ARE IN MILLIMETERS TOLERANCES DECIMALS .X ± .1 .XX ± .05 .XXX ± .030 ANGLES ±1°	DRAWN V Mojica	11/22/2019	 Contech Solutions Incorporated 631 Montague avenue San Leandro, Ca 94577
	CHECKED	1/31/2020	
	QA		TITLE
	MFG		CUSTOM SOCKET DRAWING CSCSP64-0.4-KG1-UFA-ON4
	APPROVED		SIZE C
MATERIAL ALUMINUM 6061		DWG NO CSCSP64-0.4-KG1-UFA-ON4	REV A2
		SCALE	SHEET 5 OF 9



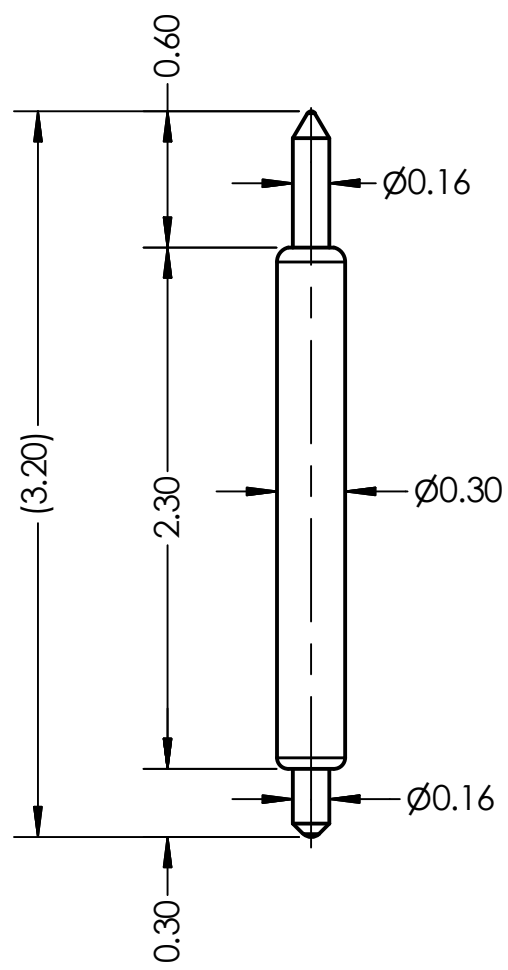
TOP VIEW  
SCALE 2.5: 1



DETAIL F  
SCALE 15: 1



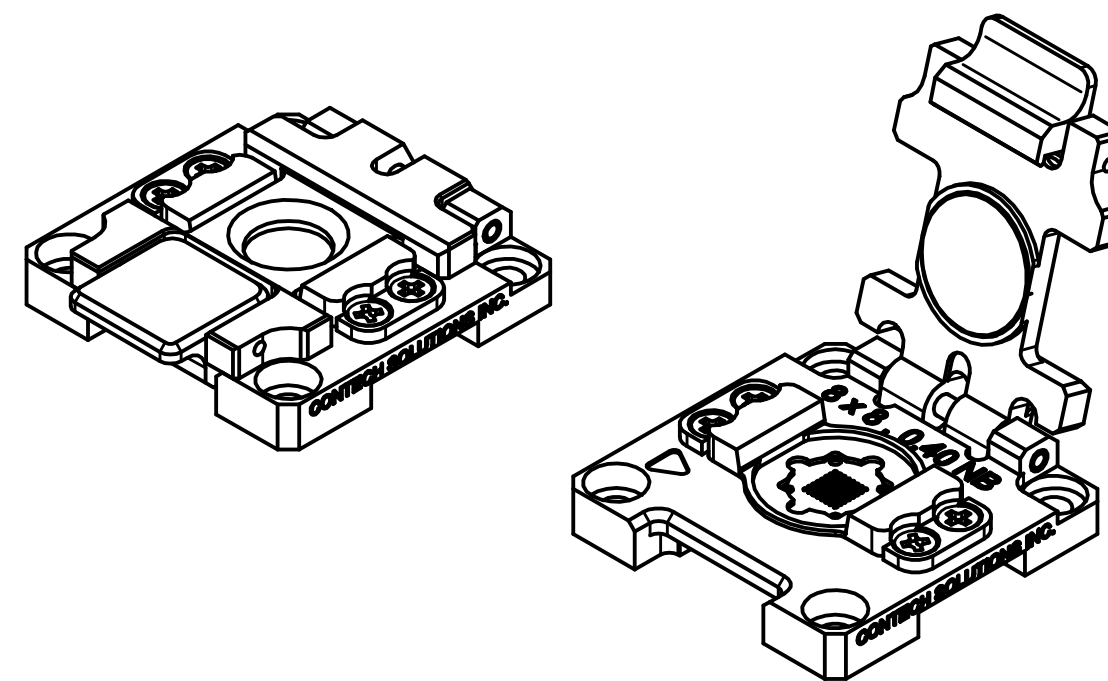
SECTION E-E  
SCALE 2.5: 1




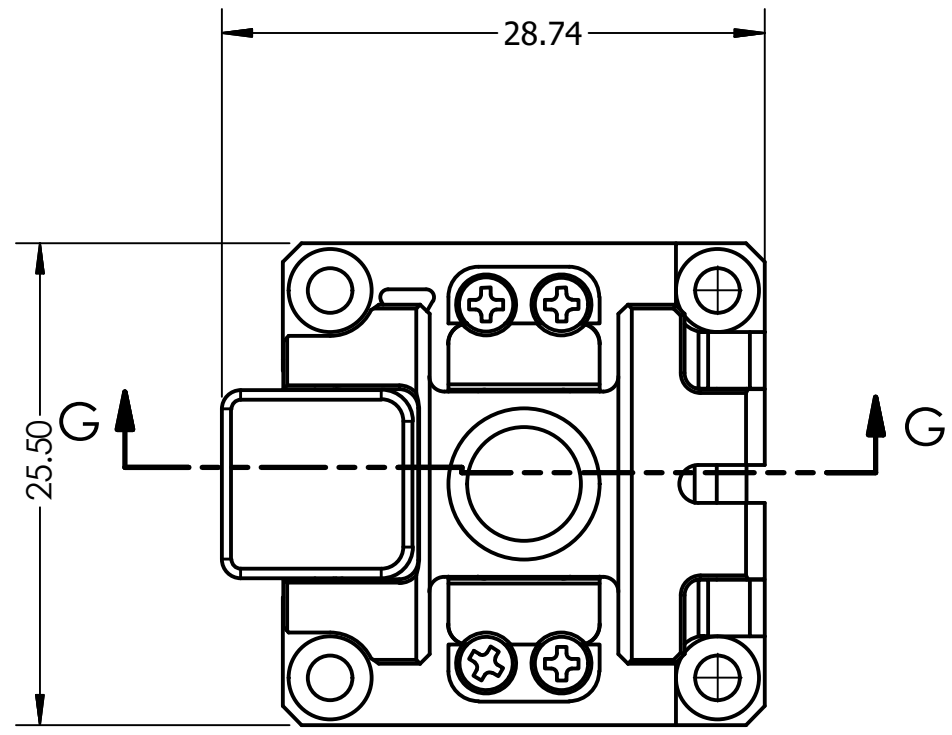
CONTACT PIN DETAIL  
KHW040-005R2

**KHW040-005R2 NOTES**

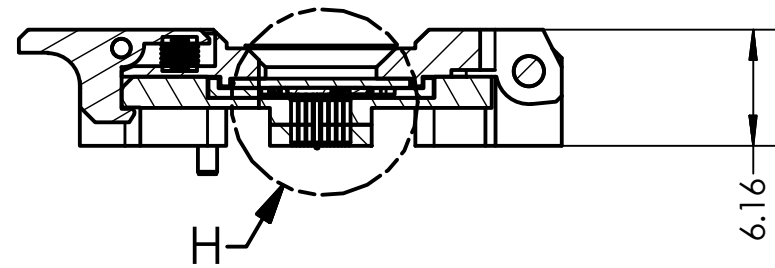
- OPERATING TEMPERATURE-45 TO 125°.
- DC RESISTANCE<50MOHM AVERAGE AT 0.45MM STROKE.
- CURRENT RATING1.4A MAX.
- SELF INDUCTANCE0.87NH.
- BANDWIDTH @ -1DB 20.2GHZ.
- LIFE CYCLE100,000 CYCLES .



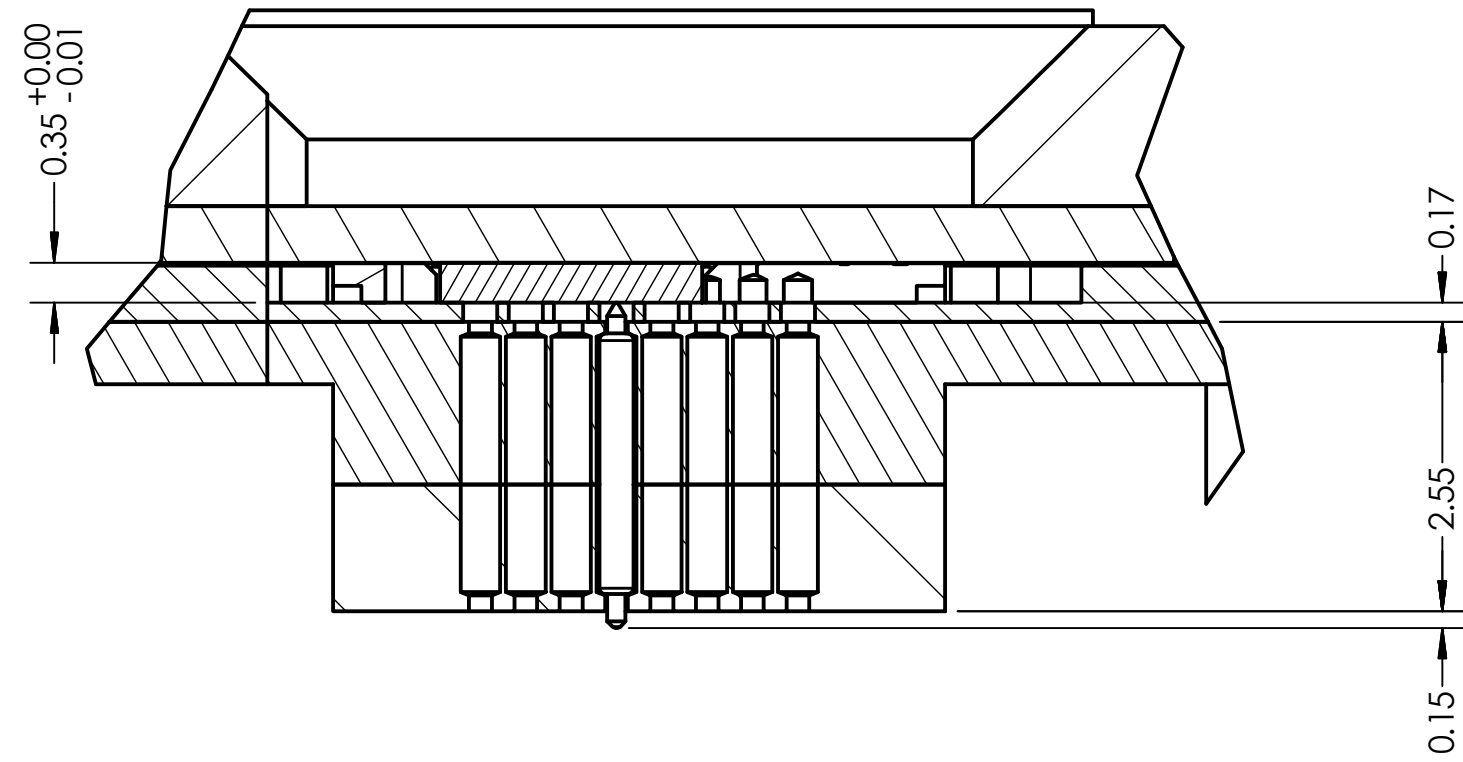
UNLESS OTHERWISE SPECIFIED DIMENSIONS ARE IN MILLIMETERS	DRAWN V Mojica	11/22/2019	 Contech Solutions Incorporated 631 Montague avenue San Leandro, Ca 94577
	CHECKED	1/31/2020	
TOLERANCES DECIMALS .X ± .1 .XX ± .05 .XXX ± .030 ANGLES ±1°	QA		TITLE
	MFG		CUSTOM SOCKET DRAWING CSCSP64-0.4-KG1-UFA-ON4
	APPROVED		SIZE C
	MATERIAL		DWG NO CSCSP64-0.4-KG1-UFA-ON4
			SCALE
			REV A2
			SHEET 6 OF 9




TOP VIEW  
SCALE 2.5: 1

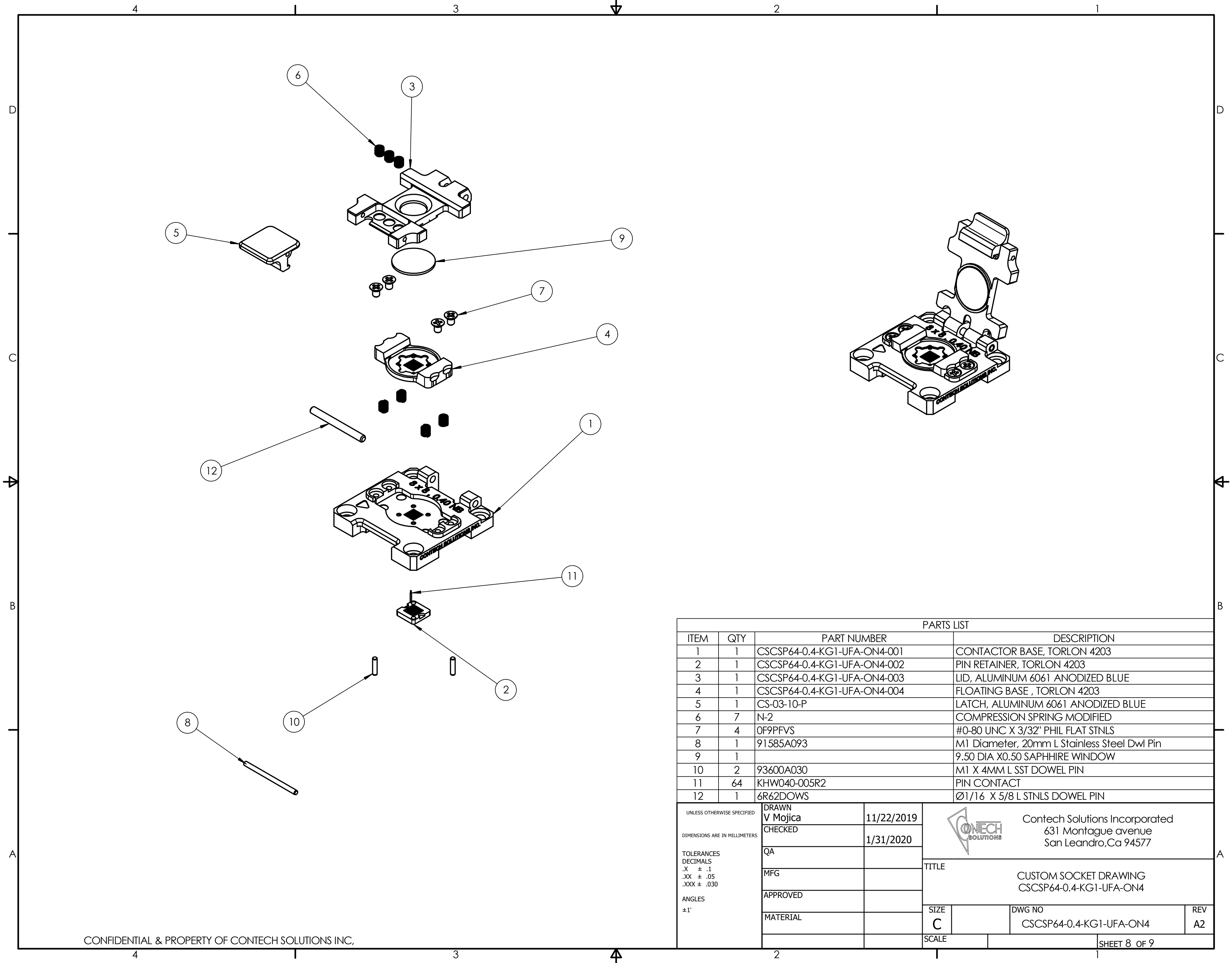


SECTION G-G  
SCALE 2.5: 1




DETAIL H  
SCALE 15: 1

UNLESS OTHERWISE SPECIFIED DIMENSIONS ARE IN MILLIMETERS TOLERANCES DECIMALS .X ± .1 .XX ± .05 .XXX ± .030 ANGLES ±1'	DRAWN <b>V Mojica</b>	11/22/2019	 Contech Solutions Incorporated 631 Montague avenue San Leandro, Ca 94577		
	CHECKED	1/31/2020			
	QA		TITLE CUSTOM SOCKET DRAWING CSCSP64-0.4-KG1-UFA-ON4		
	MFG		SIZE <b>C</b>	DWG NO CSCSP64-0.4-KG1-UFA-ON4	REV A2
	APPROVED		SCALE	SHEET 7 OF 9	
MATERIAL					

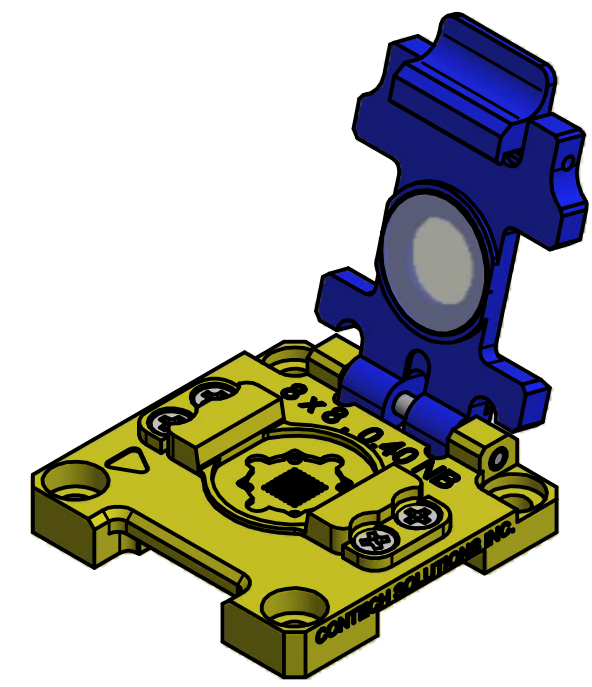
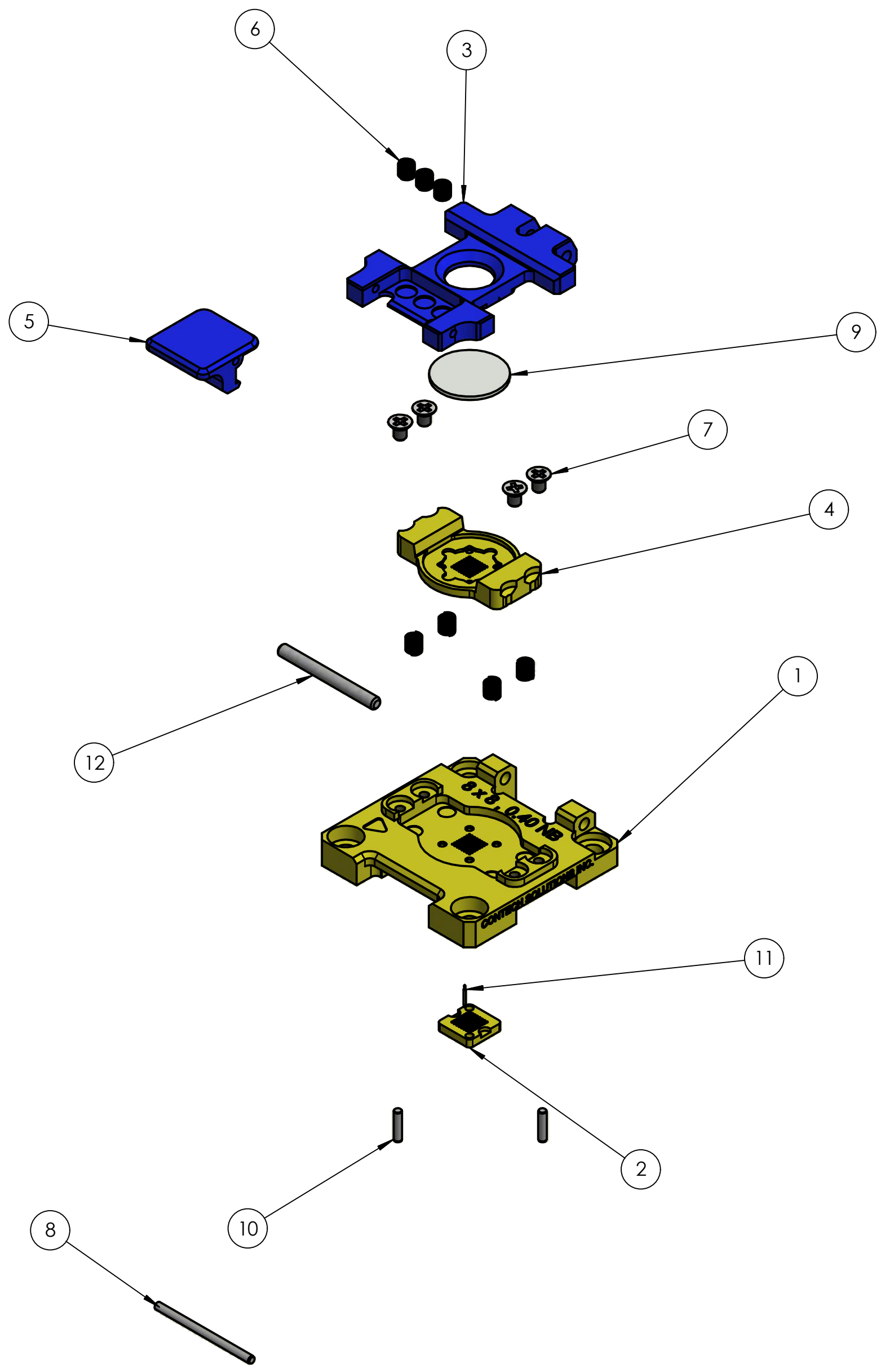


PARTS LIST			
ITEM	QTY	PART NUMBER	DESCRIPTION
1	1	CSCSP64-0.4-KG1-UFA-ON4-001	CONTACTOR BASE, TORLON 4203
2	1	CSCSP64-0.4-KG1-UFA-ON4-002	PIN RETAINER, TORLON 4203
3	1	CSCSP64-0.4-KG1-UFA-ON4-003	LID, ALUMINUM 6061 ANODIZED BLUE
4	1	CSCSP64-0.4-KG1-UFA-ON4-004	FLOATING BASE, TORLON 4203
5	1	CS-03-10-P	LATCH, ALUMINUM 6061 ANODIZED BLUE
6	7	N-2	COMPRESSION SPRING MODIFIED
7	4	0F9PFVS	#0-80 UNC X 3/32" PHIL FLAT STNLS
8	1	91585A093	M1 Diameter, 20mm L Stainless Steel Dwl Pin
9	1		9.50 DIA X0.50 SAPHIRE WINDOW
10	2	93600A030	M1 X 4MM L SST DOWEL PIN
11	64	KHW040-005R2	PIN CONTACT
12	1	6R62DOWS	Ø1/16 X 5/8 L STNLS DOWEL PIN

UNLESS OTHERWISE SPECIFIED DIMENSIONS ARE IN MILLIMETERS  TOLERANCES DECIMALS .X ± .1 .XX ± .05 .XXX ± .030  ANGLES ±1'	DRAWN	V Mojica	11/22/2019	 Contech Solutions Incorporated 631 Montague avenue San Leandro, Ca 94577	
	CHECKED		1/31/2020		
	QA			TITLE	CUSTOM SOCKET DRAWING CSCSP64-0.4-KG1-UFA-ON4
	MFG			SIZE	C
APPROVED			DWG NO	CSCSP64-0.4-KG1-UFA-ON4	
MATERIAL			REV	A2	
			SCALE		
				SHEET 8 OF 9	





PARTS LIST			
ITEM	QTY	PART NUMBER	DESCRIPTION
1	1	CSCSP64-0.4-KG1-UFA-ON4-001	CONTACTOR BASE, TORLON 4203
2	1	CSCSP64-0.4-KG1-UFA-ON4-002	PIN RETAINER, TORLON 4203
3	1	CSCSP64-0.4-KG1-UFA-ON4-003	LID, ALUMINUM 6061 ANODIZED BLUE
4	1	CSCSP64-0.4-KG1-UFA-ON4-004	FLOATING BASE, TORLON 4203
5	1	CS-03-10-P	LATCH, ALUMINUM 6061 ANODIZED BLUE
6	7	N-2	COMPRESSION SPRING MODIFIED
7	4	0F9PFVS	#0-80 UNC X 3/32" PHIL FLAT STNLS
8	1	91585A093	M1 Diameter, 20mm L Stainless Steel Dwl Pin
9	1		9.50 DIA X0.50 SAPPHIRE WINDOW
10	2	93600A030	M1 X 4MM L SST DOWEL PIN
11	64	KHW040-005R2	PIN CONTACT
12	1	6R62DOWS	Ø1/16 X 5/8 L STNLS DOWEL PIN

UNLESS OTHERWISE SPECIFIED DIMENSIONS ARE IN MILLIMETERS  TOLERANCES DECIMALS .X ± .1 .XX ± .05 .XXX ± .030  ANGLES ±1'	DRAWN	V Mojica	11/22/2019	Contech Solutions Incorporated 631 Montague avenue San Leandro, Ca 94577					
	CHECKED		1/31/2020						
	QA								
	MFG								
APPROVED				TITLE	CUSTOM SOCKET DRAWING CSCSP64-0.4-KG1-UFA-ON4				
MATERIAL				SIZE	C	DWG NO	CSCSP64-0.4-KG1-UFA-ON4	REV	A2
				SCALE					SHEET 9 OF 9