
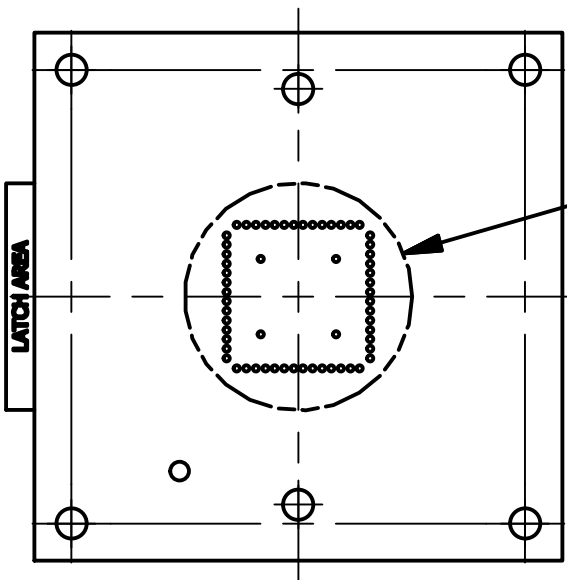
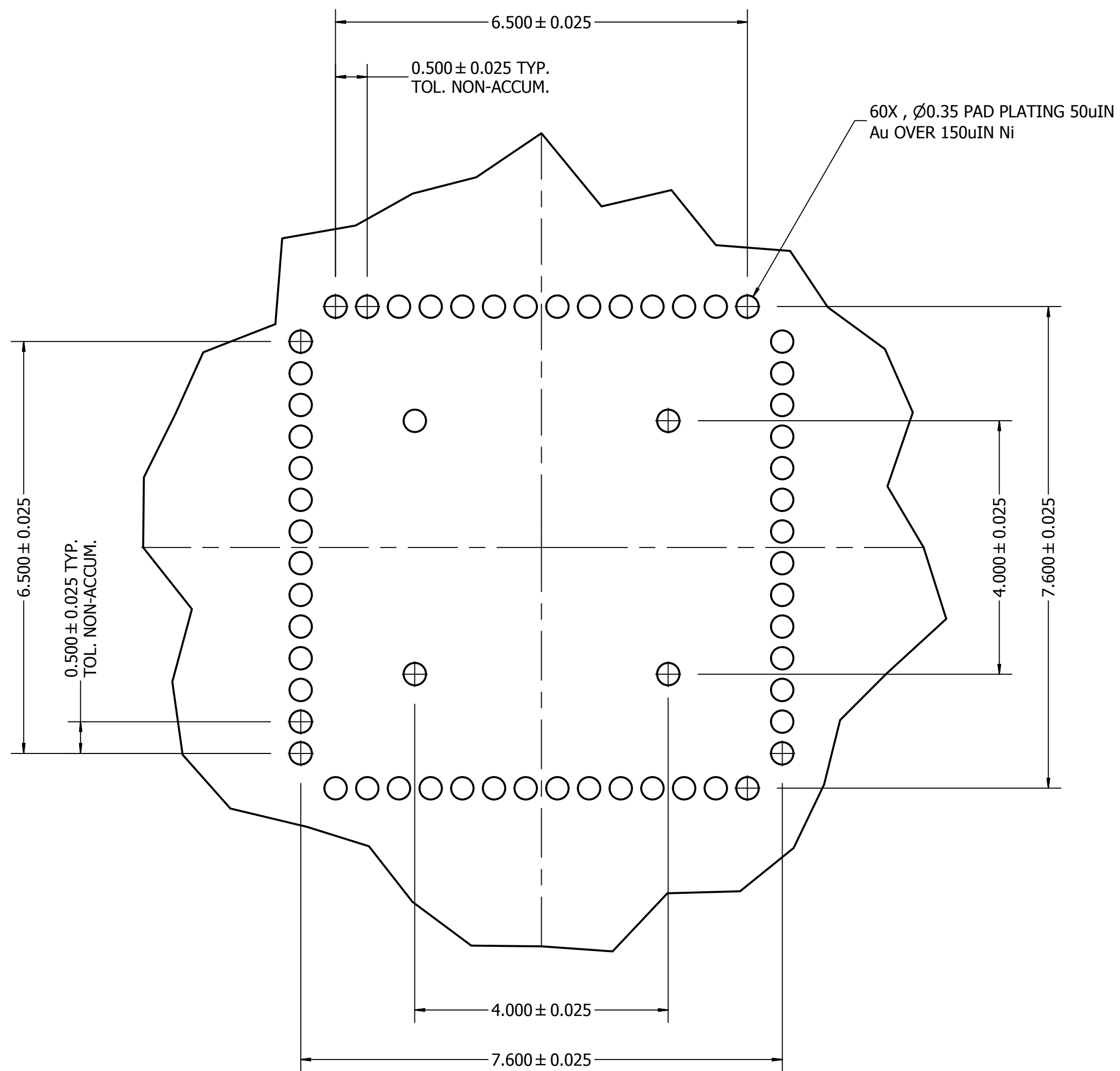


TOP VIEW
SCALE 6: 1


<small>UNLESS OTHERWISE SPECIFIED</small> <small>DIMENSIONS ARE IN MILLIMETERS</small> <small>TOLERANCES</small> <small>DECIMALS</small> <small>.X ± .1</small> <small>.XX ± .05</small> <small>.XXX ± .030</small> <small>ANGLES</small> <small>±1°</small>	<small>DRAWN</small> J Portillo	<small>11/27/2014</small>	 Contech Solutions Incorporated 631 Montague avenue San Leandro, Ca 94577	
	<small>CHECKED</small>	<small>11/27/2014</small>		<small>TITLE</small> CUSTOM SOCKET DRAWING PN# CSQFN56-0.5-RCS-FA-TI2
	<small>QA</small>		<small>SIZE</small> C	<small>DWG NO</small> CSQFN56_0.5_RCS_FA_TI2
	<small>MFG</small>		<small>SCALE</small>	<small>REV</small> A
	<small>APPROVED</small>		<small>SHEET 1 OF 7</small>	

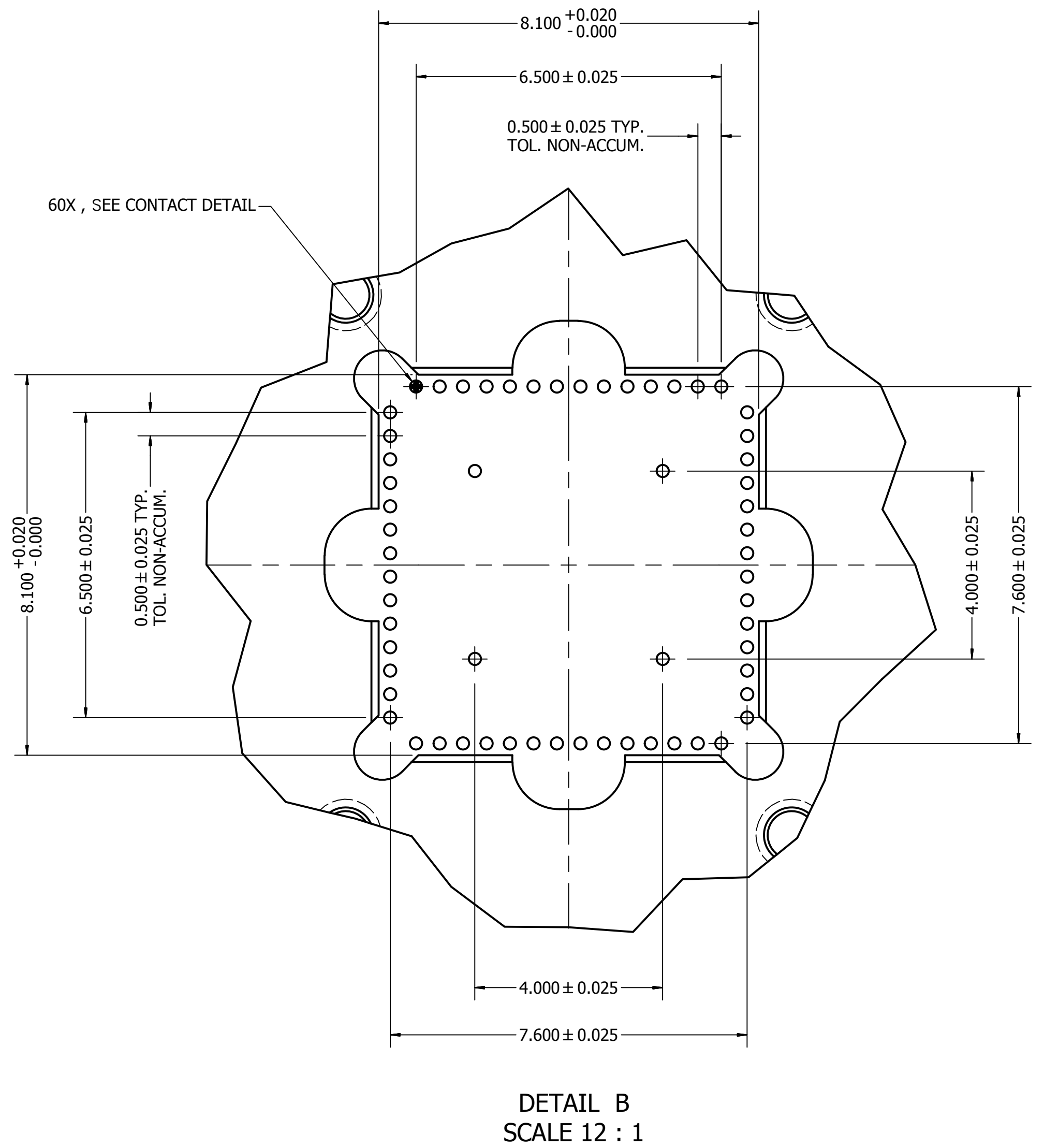
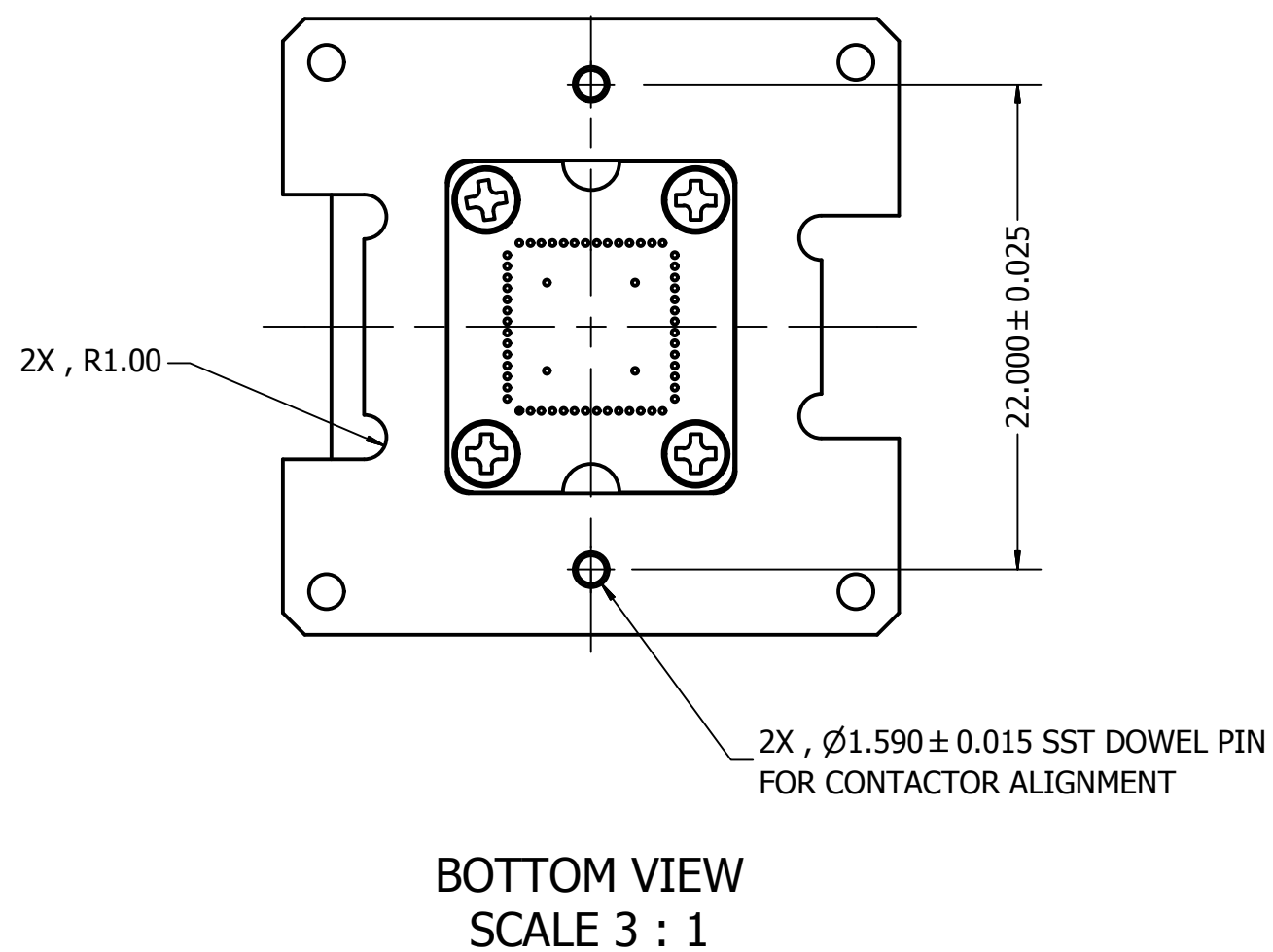
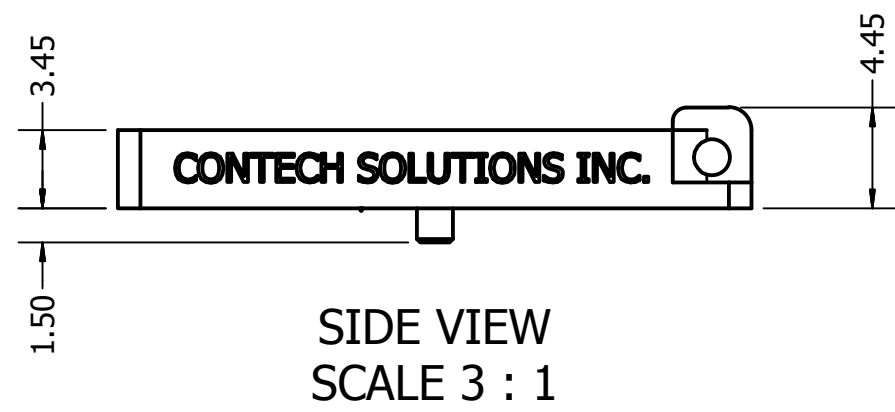
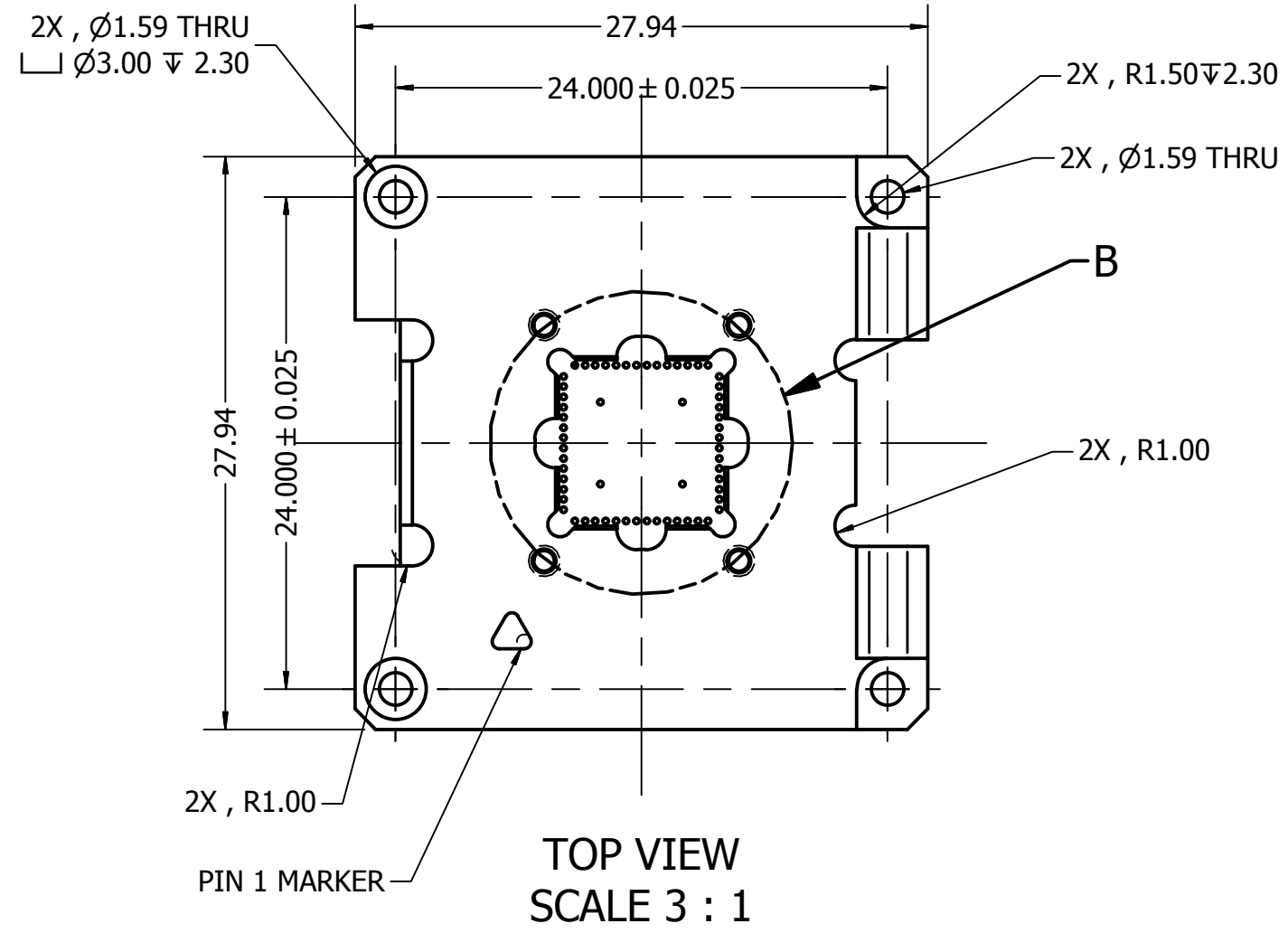



TOP VIEW
SCALE 2.5: 1

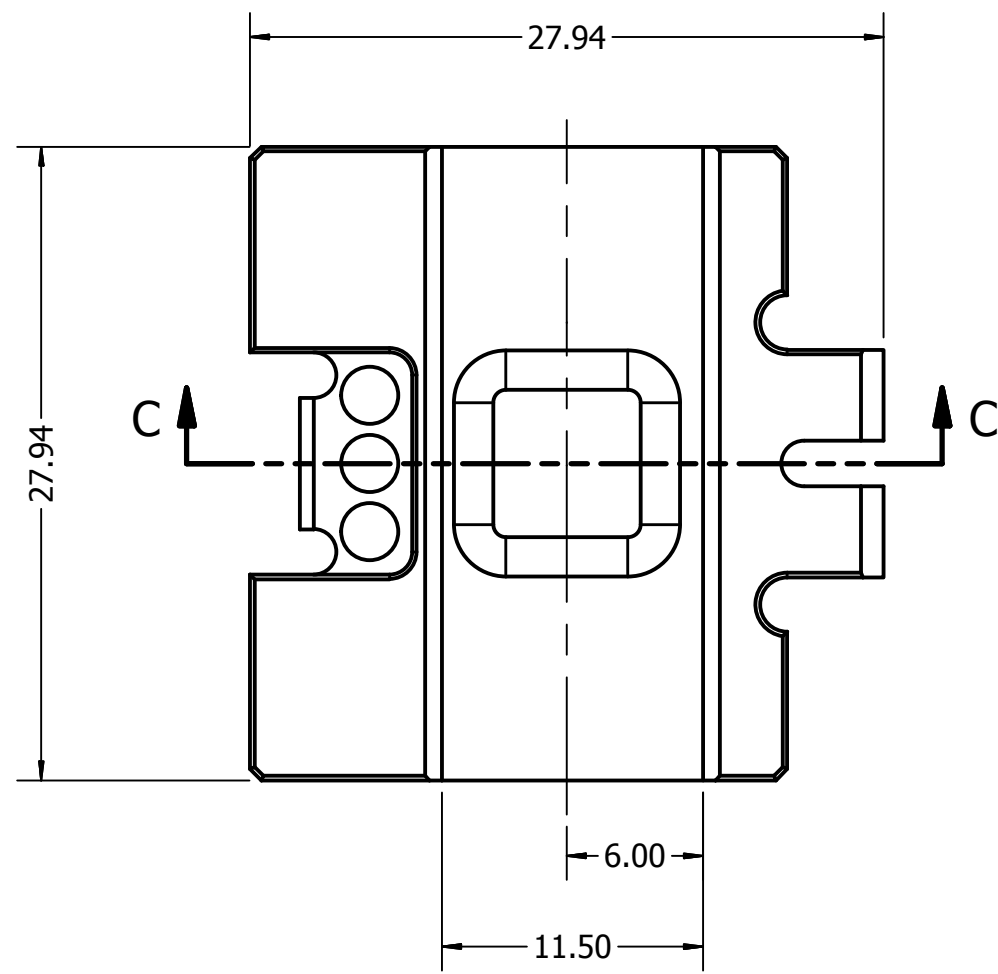


DETAIL A
SCALE 16 : 1

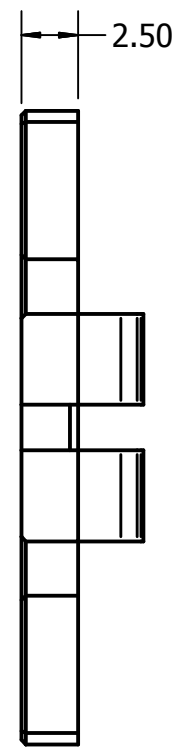
UNLESS OTHERWISE SPECIFIED DIMENSIONS ARE IN MILLIMETERS	DRAWN	J Portillo	11/27/2014	 Contech Solutions Incorporated 631 Montague avenue San Leandro, Ca 94577
	CHECKED		11/27/2014	
TOLERANCES DECIMALS .X ± .1 .XX ± .05 .XXX ± .030	QA			TITLE CUSTOM SOCKET DRAWING PN# CSQFN56-0.5-RCS-FA-TI2
	MFG			
	APPROVED			
ANGLES ±1'	MATERIAL			SIZE C
				DWG NO CSQFN56_0.5_RCS_FA_TI2
				REV A
				SCALE
				SHEET 2 OF 7



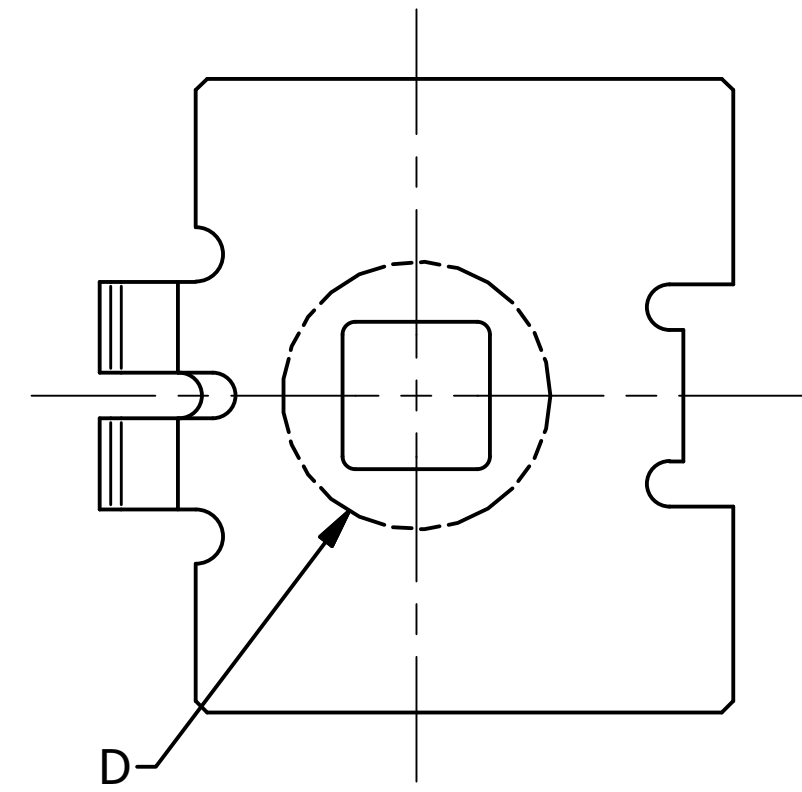
UNLESS OTHERWISE SPECIFIED DIMENSIONS ARE IN MILLIMETERS TOLERANCES DECIMALS .X ± .1 .XX ± .05 .XXX ± .030 ANGLES ±1'	DRAWN J Portillo	11/27/2014	 Contech Solutions Incorporated 631 Montague avenue San Leandro, Ca 94577
	CHECKED	11/27/2014	
	QA		TITLE
	MFG		CUSTOM SOCKET DRAWING PN# CSQFN56-0.5-RCS-FA-TI2
APPROVED		SIZE C	DWG NO CSQFN56_0.5_RCS_FA_TI2
MATERIAL TORLON 4203		SCALE	REV A
			SHEET 3 OF 7



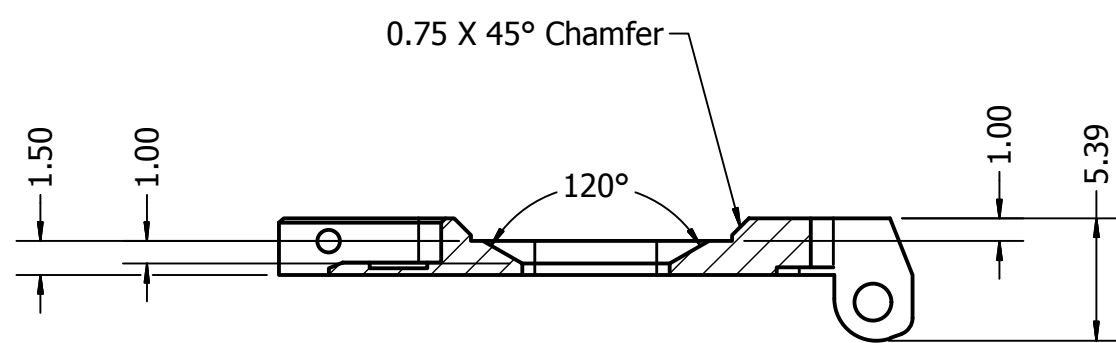
TOP VIEW
SCALE 3 : 1



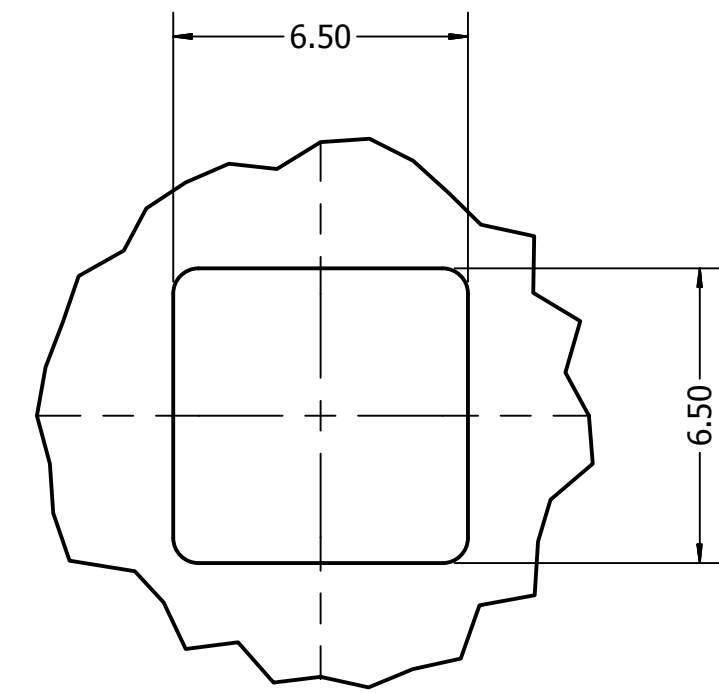
SIDE VIEW
SCALE 3 : 1




BOTTOM VIEW
SCALE 3 : 1

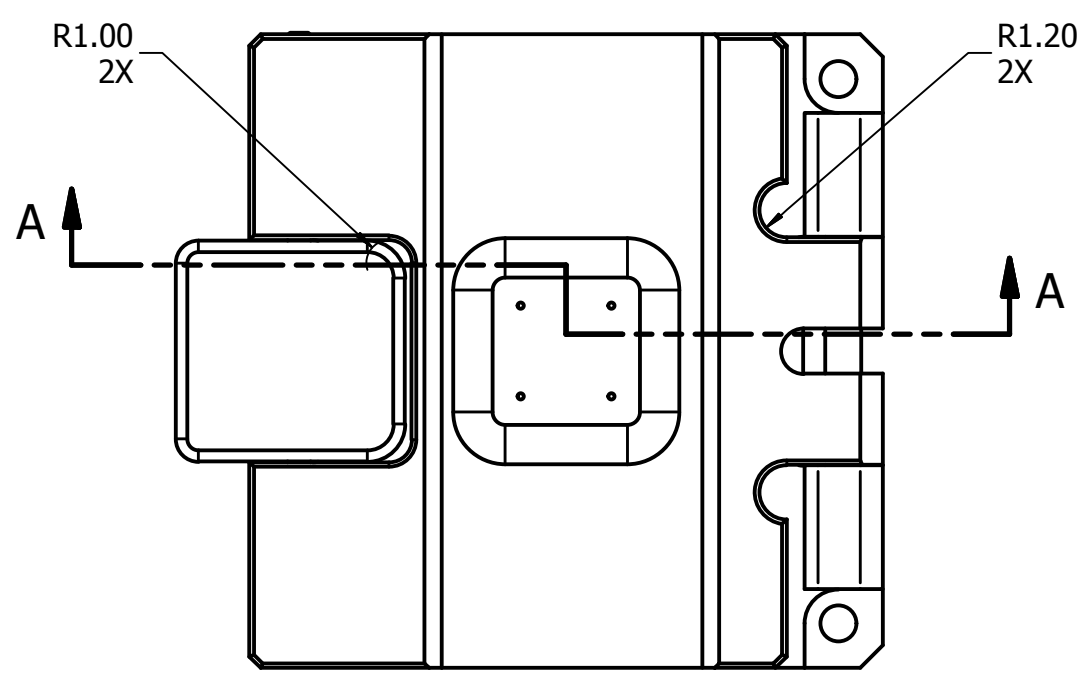


SECTION C-C
SCALE 3 : 1

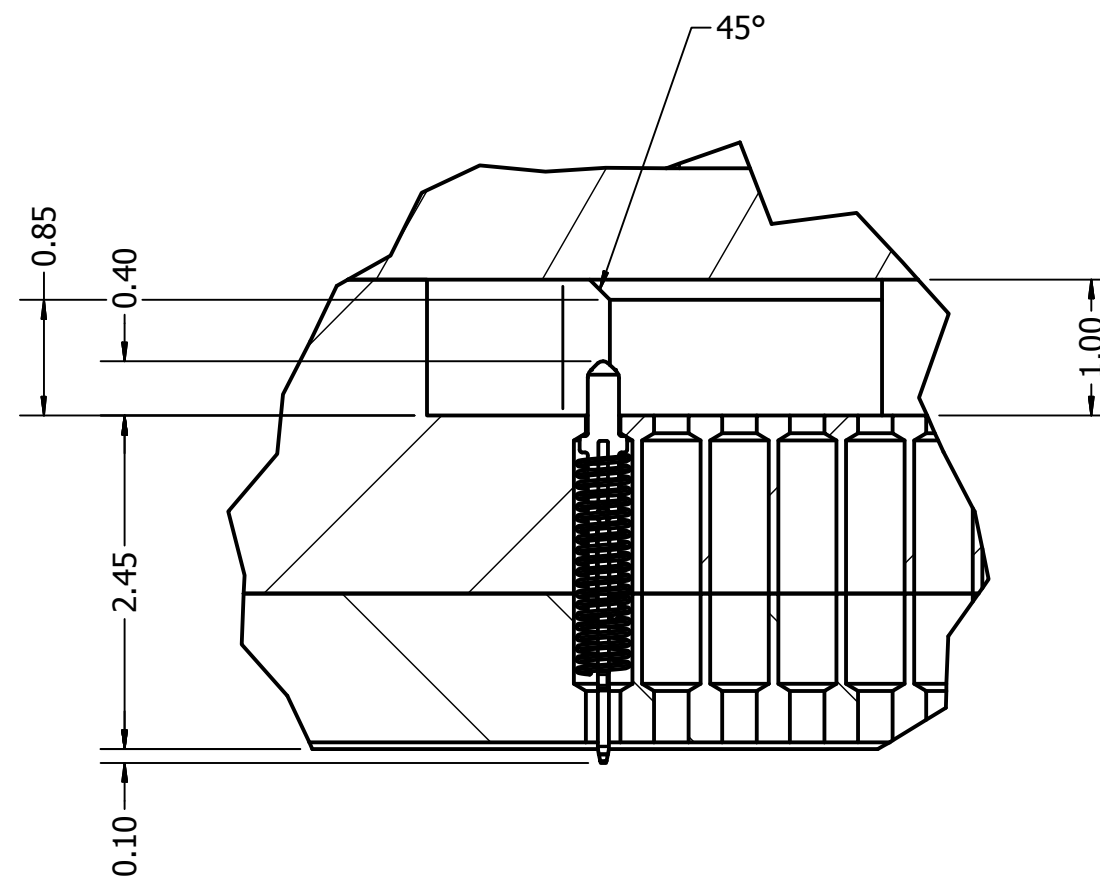


DETAIL D
SCALE 6 : 1

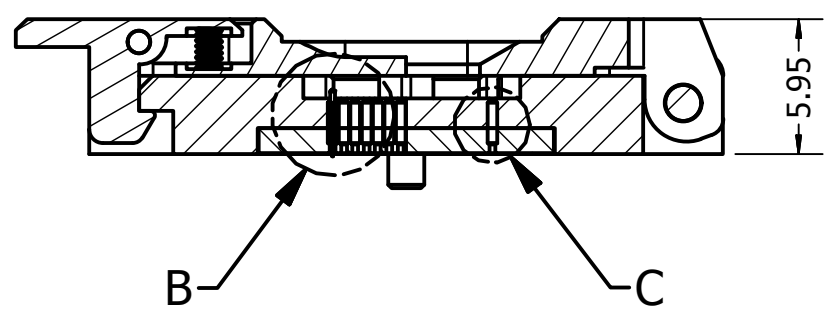
UNLESS OTHERWISE SPECIFIED DIMENSIONS ARE IN MILLIMETERS TOLERANCES DECIMALS .X ± .1 .XX ± .05 .XXX ± .030 ANGLES ±1°	DRAWN J Portillo	11/27/2014	 Contech Solutions Incorporated 631 Montague avenue San Leandro, Ca 94577
	CHECKED	11/27/2014	
	QA		TITLE
	MFG		CUSTOM SOCKET DRAWING PN# CSQFN56-0.5-RCS-FA-TI2
	APPROVED		SIZE C
MATERIAL ALUMINUM 6061		DWG NO CSQFN56_0.5_RCS_FA_TI2	REV A
		SCALE	SHEET 4 OF 7



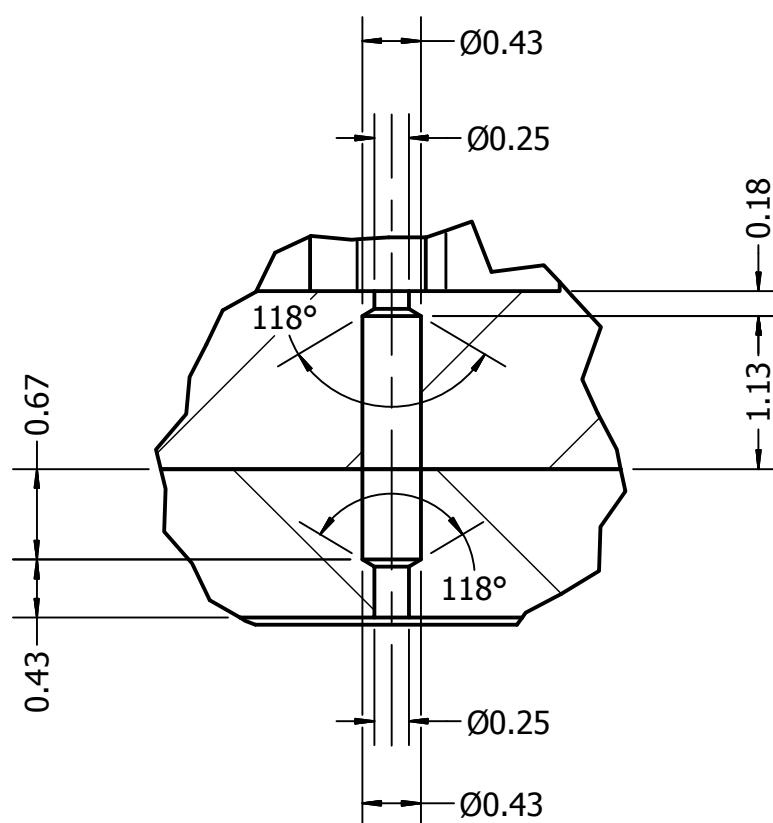
TOP VIEW
SCALE 3 : 1



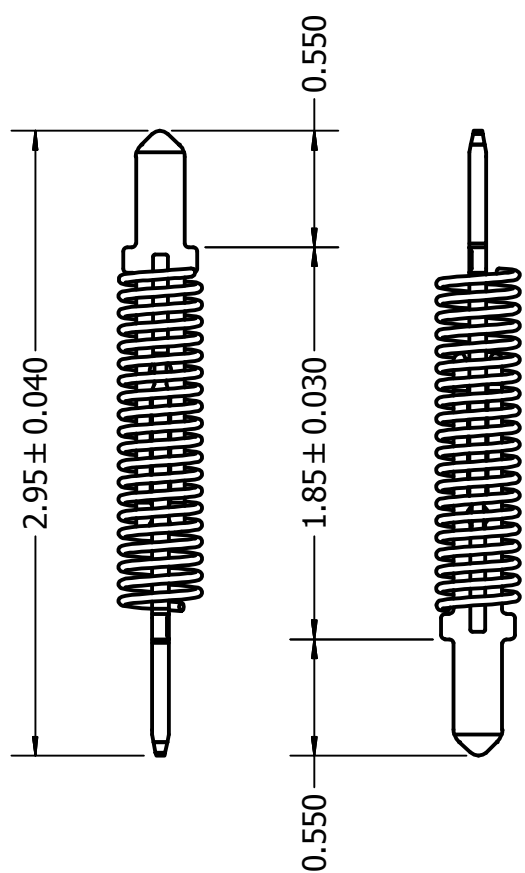
DETAIL B
SCALE 18 : 1



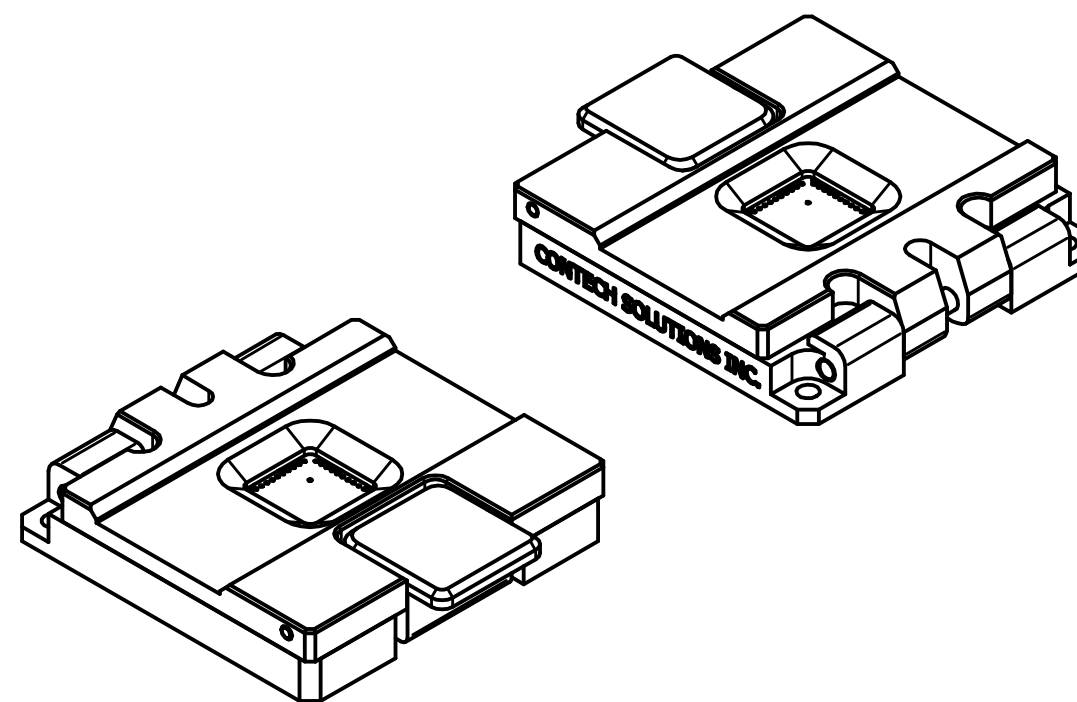
SECTION A-A
SCALE 3 : 1




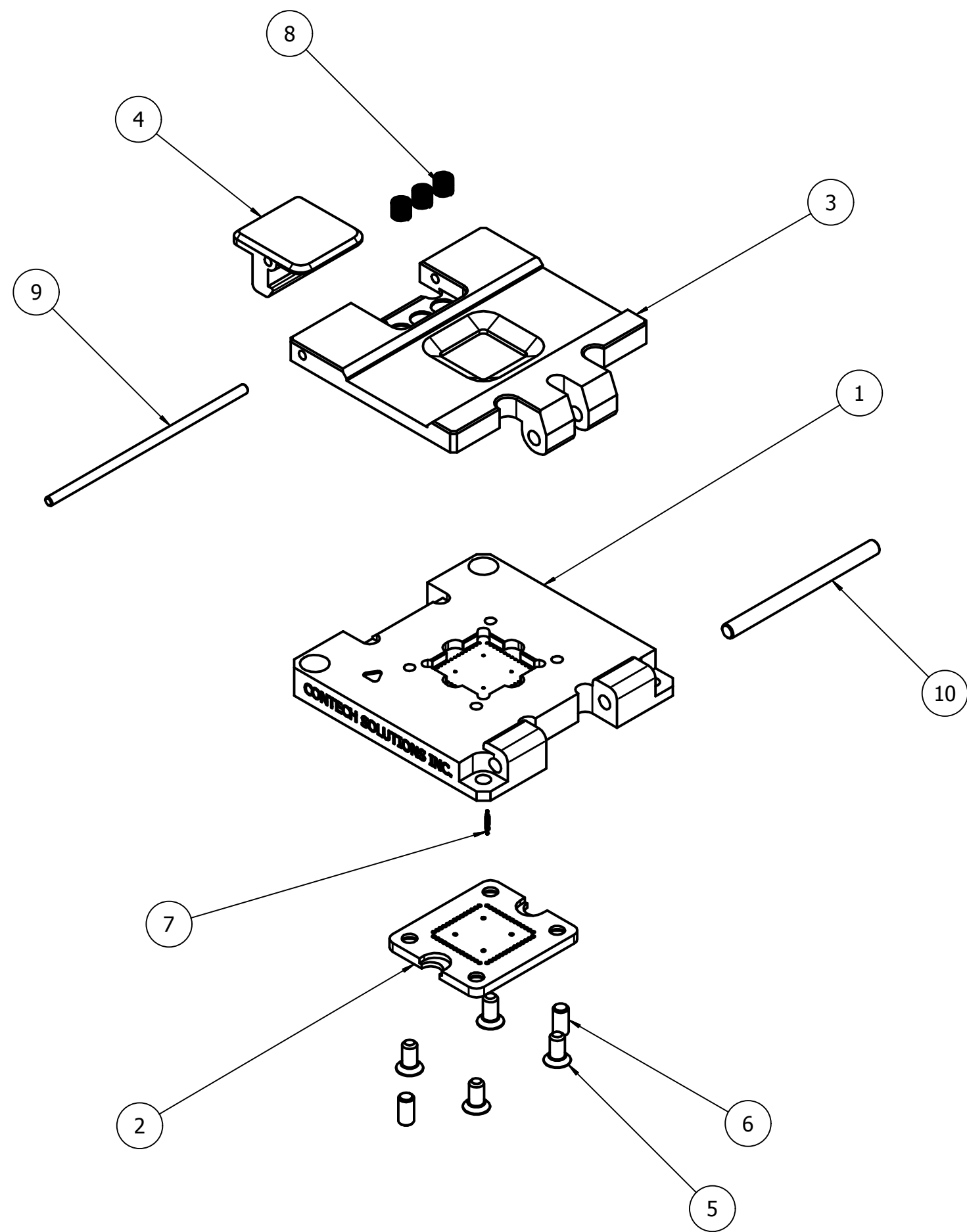
DETAIL C
SCALE 18 : 1




CONTACT DETAIL
H038LL1A
0.50mm RCS

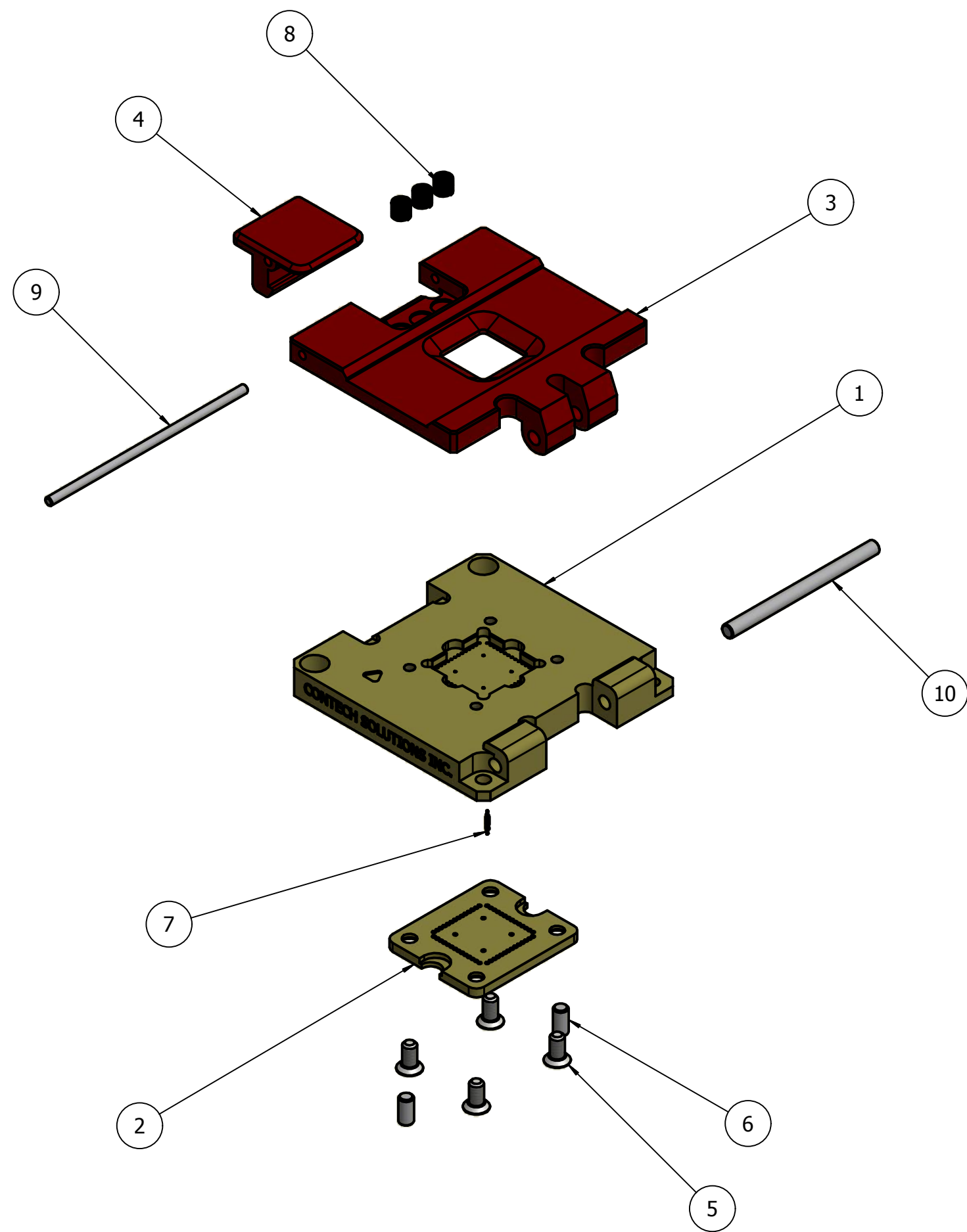


UNLESS OTHERWISE SPECIFIED DIMENSIONS ARE IN MILLIMETERS TOLERANCES DECIMALS .X ± .1 .XX ± .05 .XXX ± .030 ANGLES ±1'	DRAWN J Portillo	11/27/2014	 Contech Solutions Incorporated 631 Montague avenue San Leandro, Ca 94577
	CHECKED	11/27/2014	
	QA		TITLE
	MFG		CUSTOM SOCKET DRAWING PN# CSQFN56-0.5-RCS-FA-TI2
APPROVED		SIZE C	DWG NO CSQFN56_0.5_RCS_FA_TI2
MATERIAL		SCALE	REV A
			SHEET 5 OF 7




PARTS LIST			
ITEM	QTY	PART NUMBER	DESCRIPTION
1	1	CSQFN56-0.5-RCS-FA-TI2-001	CONTACTOR BASE, TORLON 4203
2	1	CSQFN56-0.5-RCS-FA-TI2-002	PIN RETAINER, TORLON 4203
3	1	CSQFN56-0.5-RCS-FA-TI2-003	LID, ALUMINUM 6061 ANODIZED RED
4	1	CS-03-01-P	LATCH, ALUMINUM 6061 ANODIZED RED
5	4	0F125PFVS	#0-80 UNC X 1/8" PHIL FLAT STNLS
6	2	06R18DOWS	Ø1/16" X 3/16" SST DOWEL PIN
7	60	H038LL1A	0.50mm RCS, CONTACT PIN
8	3	N-2	COMPRESSION SPRING MODIFIED
9	1	1R28DOWS	Ø1.00mm X 28.00mm L STNLS DOWEL PIN
10	1	06R100DOWS	Ø1/16" X 1" L STNLS DOWEL PIN MODIFIED

UNLESS OTHERWISE SPECIFIED DIMENSIONS ARE IN MILLIMETERS TOLERANCES DECIMALS .X ± .1 .XX ± .05 .XXX ± .030 ANGLES ±1'	DRAWN	J Portillo	11/27/2014	 Contech Solutions Incorporated 631 Montague avenue San Leandro, Ca 94577	
	CHECKED		11/27/2014		
	QA			TITLE	CUSTOM SOCKET DRAWING PN# CSQFN56-0.5-RCS-FA-TI2
	MFG			SIZE	C
	APPROVED			DWG NO	CSQFN56_0.5_RCS_FA_TI2
MATERIAL			REV	A	
			SCALE		
				SHEET 6 OF 7	



PARTS LIST			
ITEM	QTY	PART NUMBER	DESCRIPTION
1	1	CSQFN56-0.5-RCS-FA-TI2-001	CONTACTOR BASE, TORLON 4203
2	1	CSQFN56-0.5-RCS-FA-TI2-002	PIN RETAINER, TORLON 4203
3	1	CSQFN56-0.5-RCS-FA-TI2-003	LID, ALUMINUM 6061 ANODIZED RED
4	1	CS-03-01-P	LATCH, ALUMINUM 6061 ANODIZED RED
5	4	0F125PFVS	#0-80 UNC X 1/8" PHIL FLAT STNLS
6	2	06R18DOWS	Ø1/16" X 3/16" SST DOWEL PIN
7	60	H038LL1A	0.50mm RCS, CONTACT PIN
8	3	N-2	COMPRESSION SPRING MODIFIED
9	1	1R28DOWS	Ø1.00mm X 28.00mm L STNLS DOWEL PIN
10	1	06R100DOWS	Ø1/16" X 1" L STNLS DOWEL PIN MODIFIED

UNLESS OTHERWISE SPECIFIED DIMENSIONS ARE IN MILLIMETERS TOLERANCES DECIMALS .X ± .1 .XX ± .05 .XXX ± .030 ANGLES ±1°	DRAWN	J Portillo	11/27/2014	 Contech Solutions Incorporated 631 Montague avenue San Leandro, Ca 94577	
	CHECKED		11/27/2014		
	QA			TITLE	CUSTOM SOCKET DRAWING PN# CSQFN56-0.5-RCS-FA-TI2
	MFG			SIZE	C
	APPROVED			DWG NO	CSQFN56_0.5_RCS_FA_TI2
MATERIAL			REV	A	
			SCALE		
				SHEET 7 OF 7	