


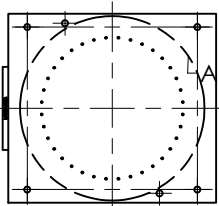
TOP VIEW  
SCALE 3: 1

Ø1.59 THRU  
FOR CONTACTOR MOUNTING  
3IN/LBS TORQUE NEEDED ON EACH SCREW  
4X

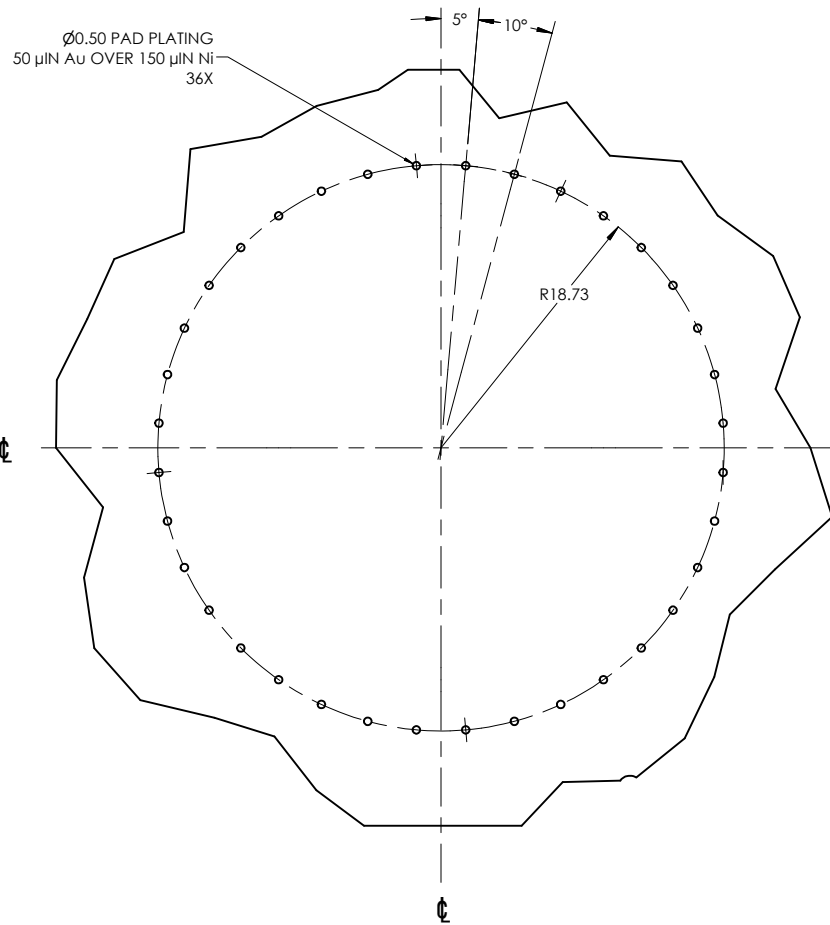
NO COMPONENTS OR SOLDER MASK  
IN THIS AREA

Ø1.620 <sup>+0.030</sup><sub>-0.000</sub> NON PLATED THRU  
DRILL & REAM  
FOR CONTACTOR ALIGNMENT  
2X

UNLESS OTHERWISE SPECIFIED DIMENSIONS ARE IN MILLIMETERS  TOLERANCES DECIMALS .X ± .1 .XX ± .05 .XXX ± .030  ANGLES ±1'	DRAWN V Mojica	12/9/2016	 Contech Solutions Incorporated 631 Montague avenue San Leandro, Ca 94577	
	CHECKED	12/10/2016		
	QA		TITLE	
	MFG		CUSTOM SOCKET DRAWING PN# CS36-77RCS-FA-ON1	
	APPROVED		SIZE	
MATERIAL		DWG NO	REV	
		C	CS36-77RCS-FA-ON1	A
		SCALE	SHEET 1 OF 7	




TOP VIEW

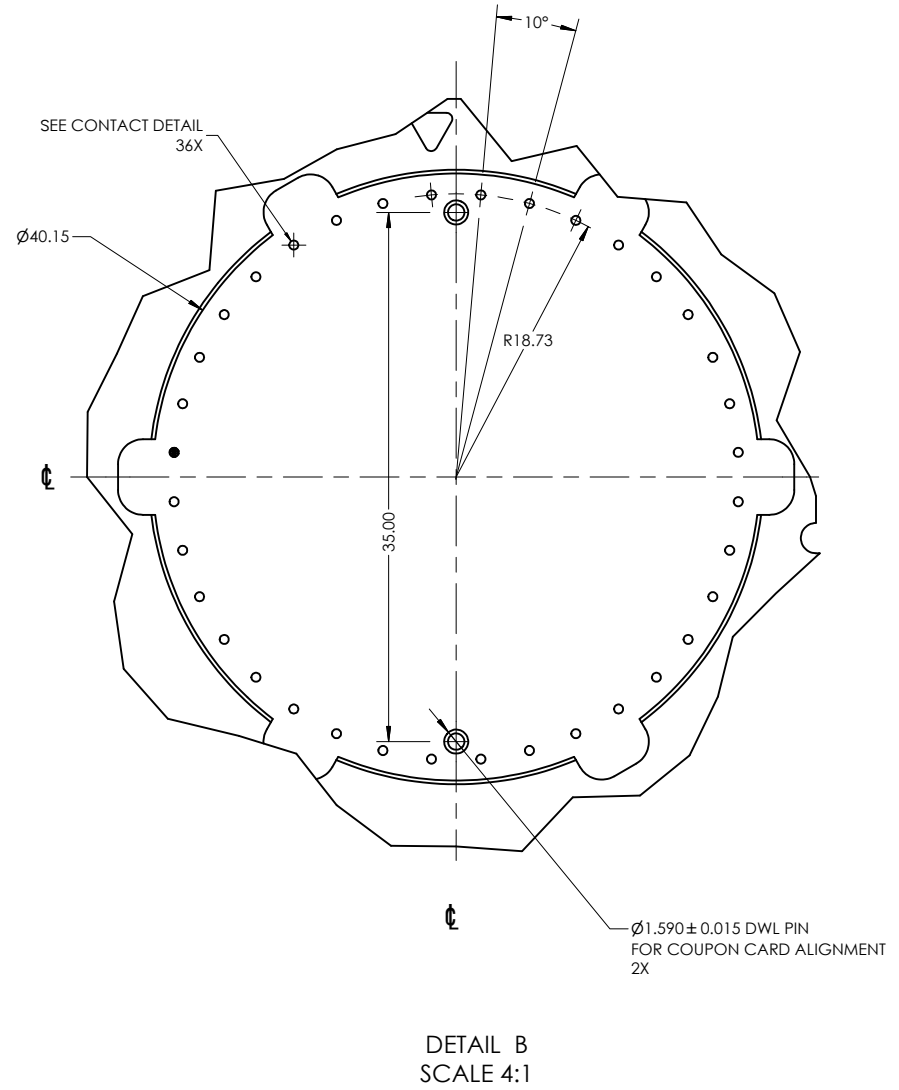
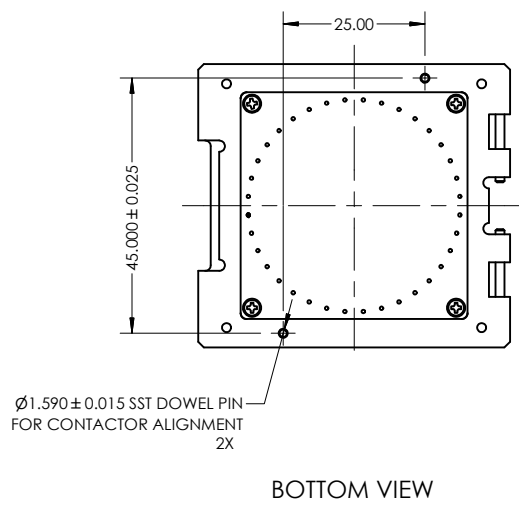
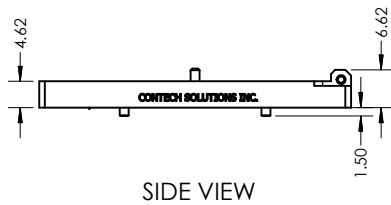
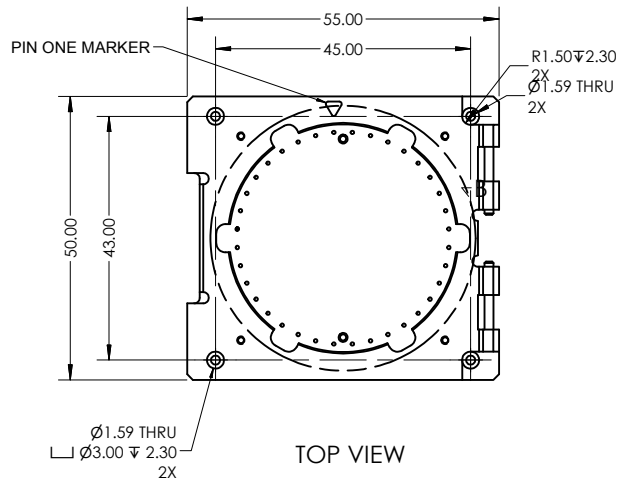



Ø0.50 PAD PLATING  
50 μIN Au OVER 150 μIN Ni  
36X

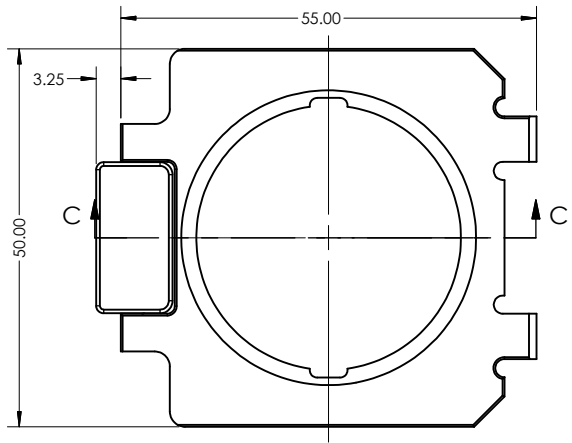
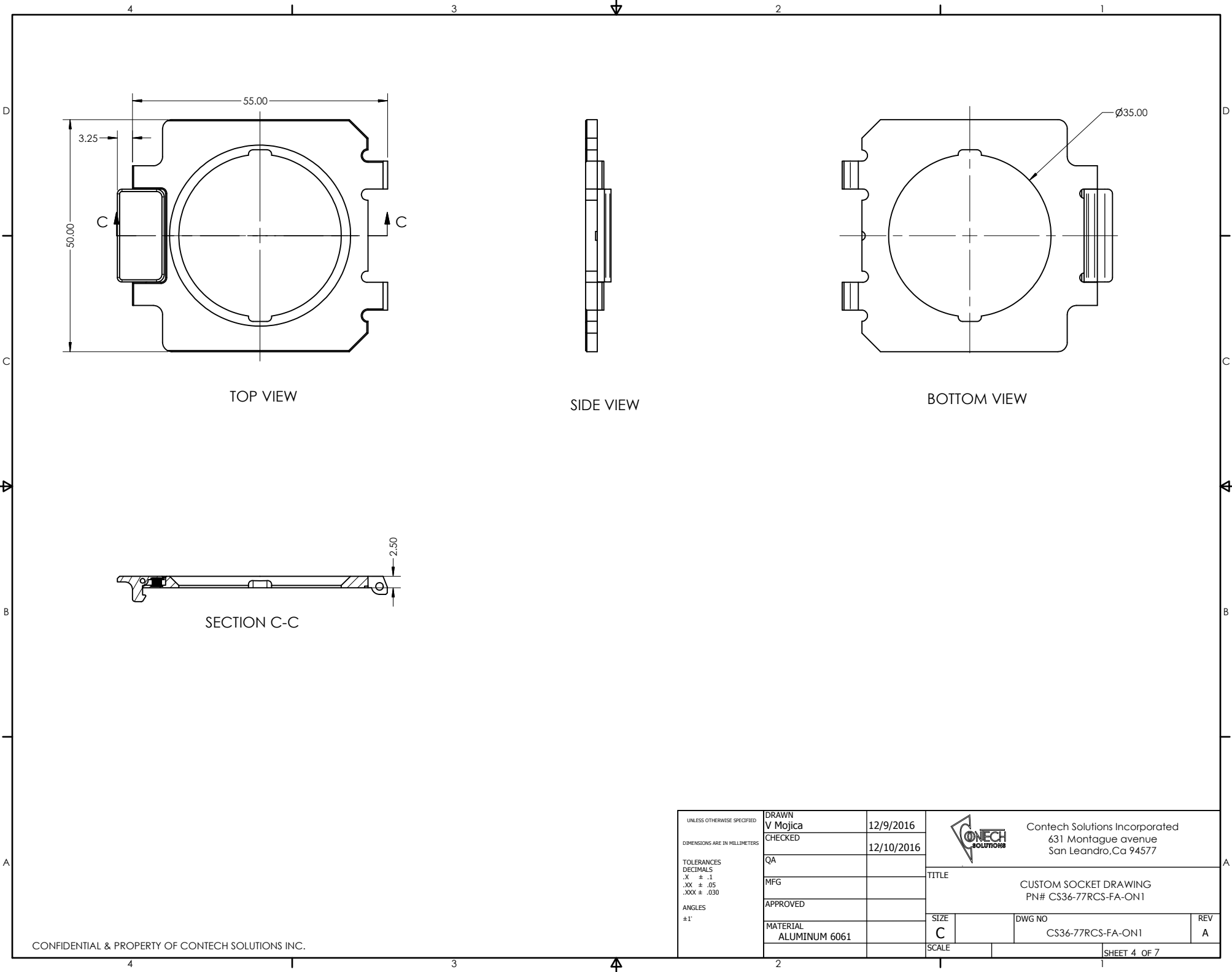
R18.73

DETAIL A  
SCALE 4:1

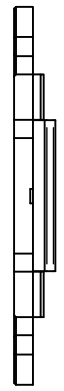
UNLESS OTHERWISE SPECIFIED DIMENSIONS ARE IN MILLIMETERS  TOLERANCES DECIMALS .X ± .1 .XX ± .05 .XXX ± .030  ANGLES ±1'	DRAWN V Mojica	12/9/2016	 Contech Solutions Incorporated 631 Montague avenue San Leandro, Ca 94577				
	CHECKED	12/10/2016					
	QA		TITLE	CUSTOM SOCKET DRAWING PN# CS36-77RCS-FA-ON1			
	MFG		SIZE	C	DWG NO	CS36-77RCS-FA-ON1	REV
APPROVED		SCALE		SHEET 2 OF 7			
MATERIAL							



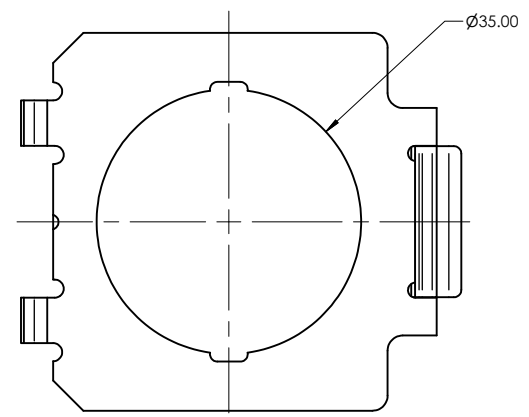
UNLESS OTHERWISE SPECIFIED DIMENSIONS ARE IN MILLIMETERS  TOLERANCES DECIMALS .X $\pm$ .1 .XX $\pm$ .05 .XXX $\pm$ .030  ANGLES $\pm$ 1'	DRAWN V Mojica	12/9/2016	 Contech Solutions Incorporated 631 Montague avenue San Leandro, Ca 94577	
	CHECKED	12/10/2016		
	QA		TITLE	CUSTOM SOCKET DRAWING PN# CS36-77RCS-FA-ON1
	MFG		SIZE	C
APPROVED		DWG NO	CS36-77RCS-FA-ON1	
MATERIAL TORLON 4203		SCALE		
		REV	A	
		SHEET 3 OF 7		



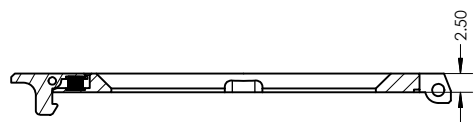
TOP VIEW




SIDE VIEW

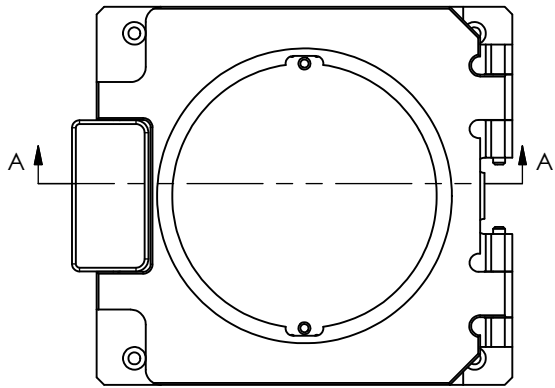


BOTTOM VIEW

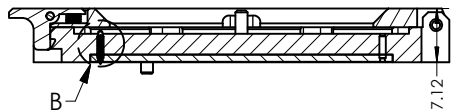


SECTION C-C

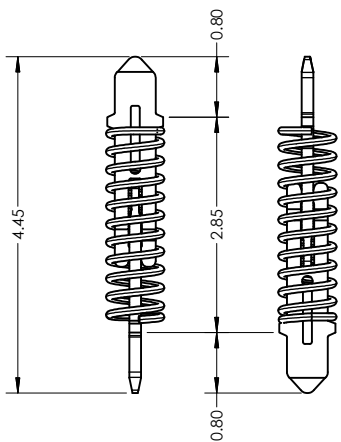
UNLESS OTHERWISE SPECIFIED DIMENSIONS ARE IN MILLIMETERS  TOLERANCES DECIMALS .X ± .1 .XX ± .05 .XXX ± .030  ANGLES ±1'	DRAWN V Mojica	12/9/2016	 Contech Solutions Incorporated 631 Montague avenue San Leandro, Ca 94577		
	CHECKED	12/10/2016			
	QA		TITLE	CUSTOM SOCKET DRAWING PN# CS36-77RCS-FA-ON1	
	MFG		SIZE	C	
APPROVED		DWG NO	CS36-77RCS-FA-ON1	REV	A
MATERIAL ALUMINUM 6061		SCALE		SHEET 4 OF 7	



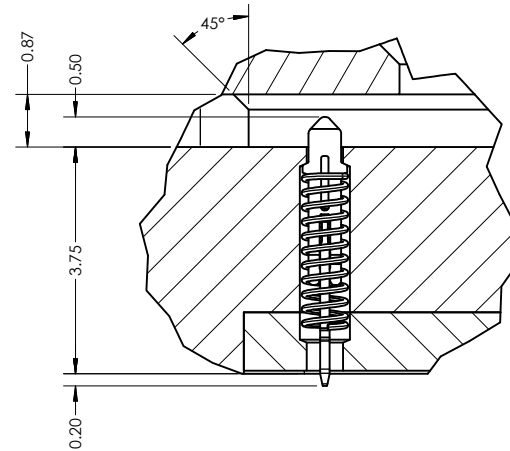
TOP VIEW



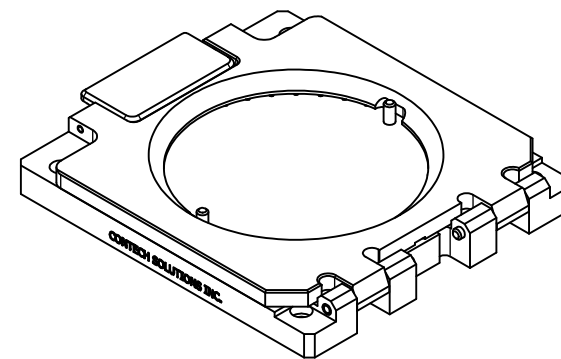
SECTION A-A




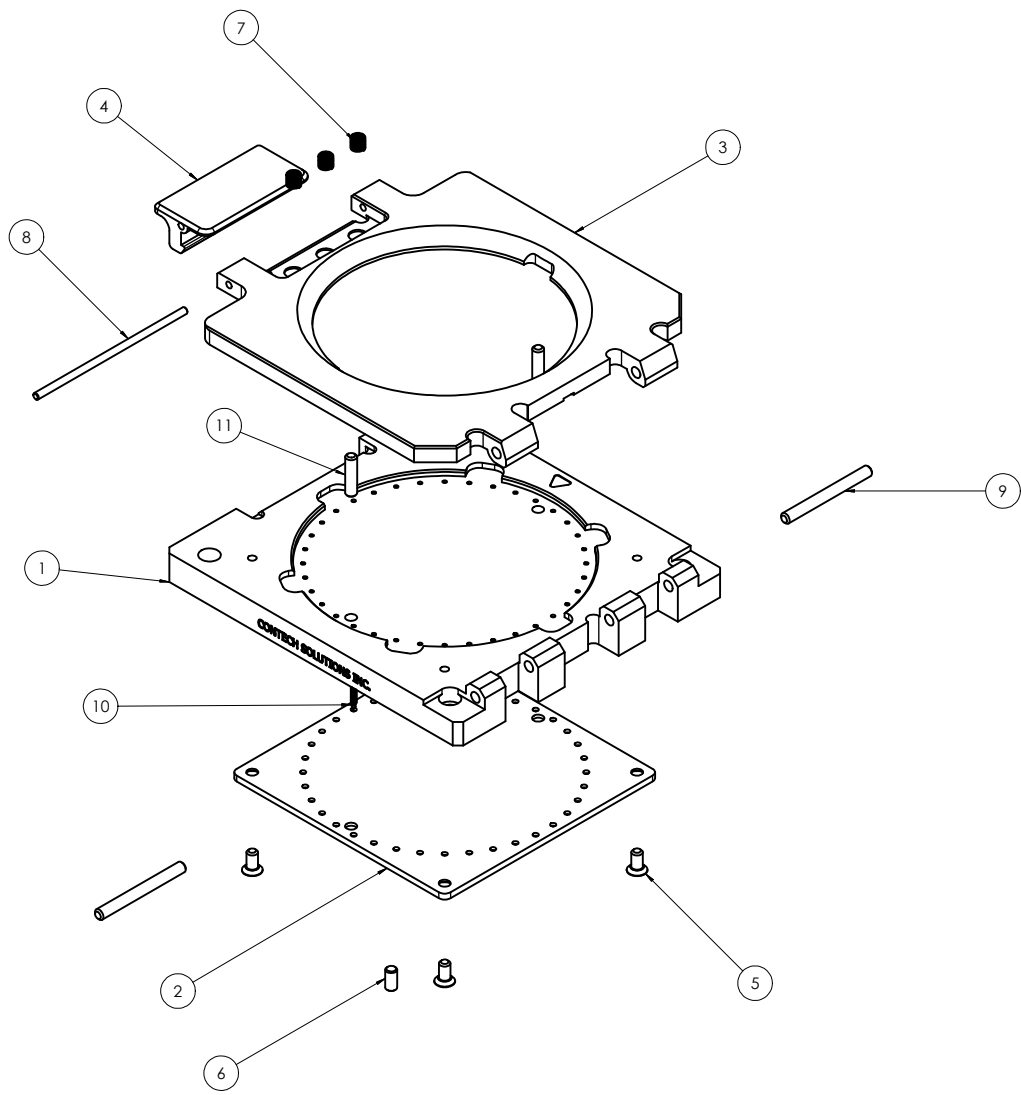
CONTACT DETAIL  
H077LL1A  
SCALE 20 : 1




DETAIL B

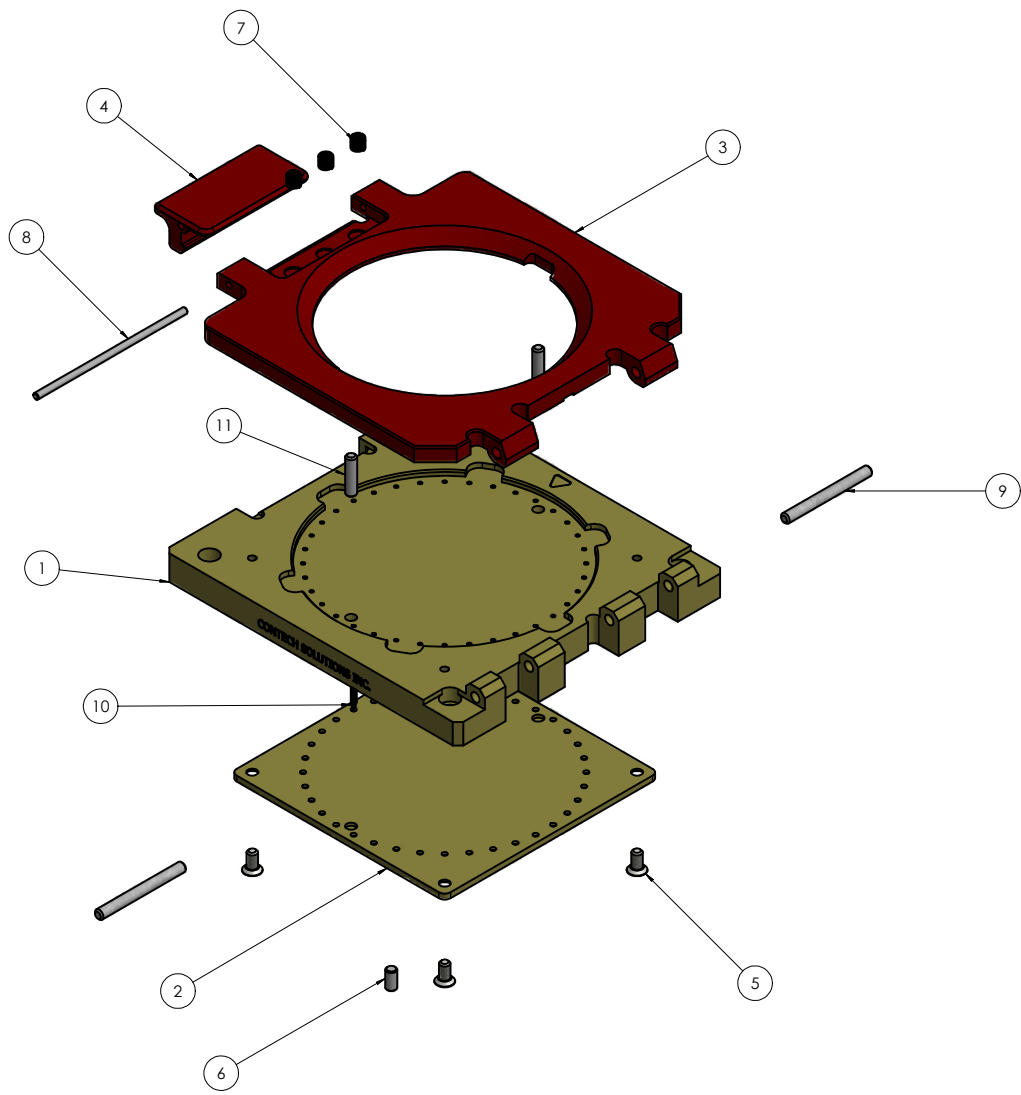


UNLESS OTHERWISE SPECIFIED DIMENSIONS ARE IN MILLIMETERS  TOLERANCES DECIMALS .X ± .1 .XX ± .05 .XXX ± .030  ANGLES ±1'	DRAWN V Mojica	12/9/2016	 Contech Solutions Incorporated 631 Montague avenue San Leandro, Ca 94577				
	CHECKED	12/10/2016					
	QA		TITLE	CUSTOM SOCKET DRAWING PN# CS36-77RCS-FA-ON1			
	MFG		SIZE	C	DWG NO	CS36-77RCS-FA-ON1	REV
APPROVED		SCALE		SHEET 5 OF 7			
MATERIAL							




PARTS LIST			
ITEM	QTY	PART NUMBER	DESCRIPTION
1	1	CS36-5RCS-FA-ON1-001	CONTACTOR BASE, TORLON 4203
2	1	CS36-5RCS-FA-ON1-002	PIN RETAINER, TORLON 4203
3	1	CS36-5RCS-FA-ON1-003	LID, ALUMINUM 6061 ANODIZED RED
4	1	CS-03-40-P	LATCH, ALUMINUM 6061 ANODIZED RED
5	4	0F125PFVS	#0-80 UNC X 1/8" PHIL FLAT STNLS
6	2	06R18DOWS	Ø1/16" X 3/16" SST DOWEL PIN
7	3	N-2	COMPRESSION SPRING MODIFIED
8	1	1R28DOWS	Ø1.00mm X 28.00mm L STNLS DOWEL PIN
9	2	06R675DOWS	Ø1/16 X 5/8" L STNLS DOWEL PIN
10	36	H077LL1A	CONTACT PIN, 1.00mm RCS
11	2	06R250DOWS	Ø1/16 X 1/4 L STNLS DOWEL PIN

UNLESS OTHERWISE SPECIFIED DIMENSIONS ARE IN MILLIMETERS  TOLERANCES DECIMALS .X ± .1 .XX ± .05 .XXX ± .030  ANGLES ±1'	DRAWN	V Mojica	12/9/2016	 Contech Solutions Incorporated 631 Montague avenue San Leandro, Ca 94577				
	CHECKED		12/10/2016					
	QA			TITLE	CUSTOM SOCKET DRAWING PN# CS36-77RCS-FA-ON1			
	MFG			SIZE	C	DWG NO	CS36-77RCS-FA-ON1	REV
APPROVED			MATERIAL		SCALE		SHEET 6 OF 7	



PARTS LIST			
ITEM	QTY	PART NUMBER	DESCRIPTION
1	1	CS36-5RCS-FA-ON1-001	CONTACTOR BASE, TORLON 4203
2	1	CS36-5RCS-FA-ON1-002	PIN RETAINER, TORLON 4203
3	1	CS36-5RCS-FA-ON1-003	LID, ALUMINUM 6061 ANODIZED RED
4	1	CS-03-40-P	LATCH, ALUMINUM 6061 ANODIZED RED
5	4	0F125PFVS	#0-80 UNC X 1/8" PHIL FLAT STNLS
6	2	06R18DOWS	Ø1/16" X 3/16" SST DOWEL PIN
7	3	N-2	COMPRESSION SPRING MODIFIED
8	1	1R28DOWS	Ø1.00mm X 28.00mm L STNLS DOWEL PIN
9	2	06R675DOWS	Ø1/16 X 5/8" L STNLS DOWEL PIN
10	36	H077LL1A	CONTACT PIN, 1.00mm RCS
11	2	06R250DOWS	Ø1/16 X 1/4 L STNLS DOWEL PIN

UNLESS OTHERWISE SPECIFIED DIMENSIONS ARE IN MILLIMETERS  TOLERANCES DECIMALS .X ± .1 .XX ± .05 .XXX ± .030  ANGLES ±1'	DRAWN	V Mojica	12/9/2016	 Contech Solutions Incorporated 631 Montague avenue San Leandro, Ca 94577	
	CHECKED		12/10/2016		
	QA			TITLE	CUSTOM SOCKET DRAWING PN# CS36-77RCS-FA-ON1
	MFG			SIZE	C
APPROVED			DWG NO	CS36-77RCS-FA-ON1	
MATERIAL			SCALE		
				REV	A