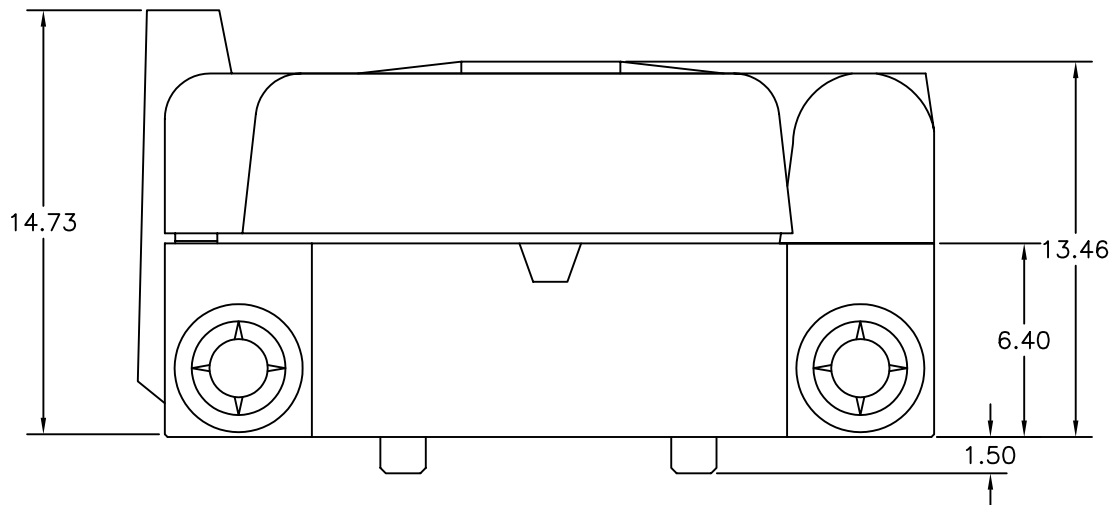


CONTACT DETAIL

MOUNTING HOLES FOR 0-80
SCREWS X 4

60 DEG. PACKAGE LEAD IN TAPER
X 1.27 DEEP.



CONTECH SOLUTIONS INC.

CUSTOM SOCKET PN# CSLGA79-0.5-0.7-038-T11

DRAWN BY:
A - NOURI

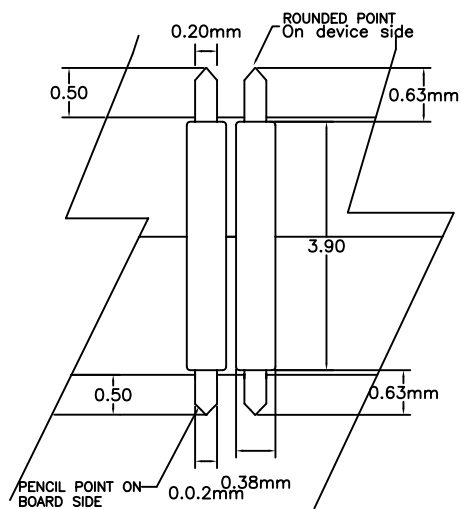
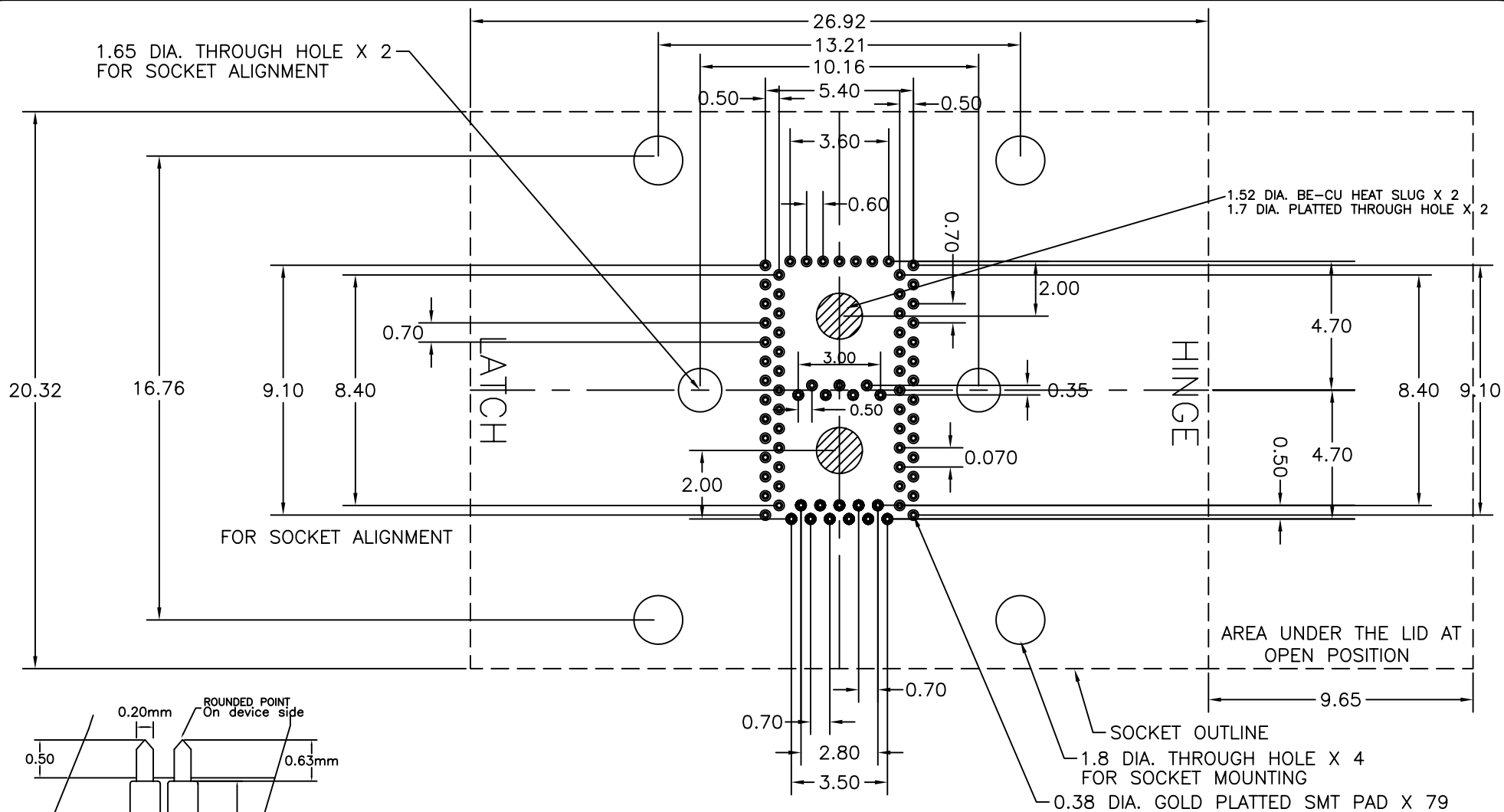
SCALE: 4 ~ 1

REV#3
01/16/04

DRAWING#

DATE: 12/12/2003

TYPE



CONTACT DETAIL

NOTES:

- 1- SUGGESTED BOARD LAY OUT.
- 2- OVERALL SOCKET HEIGHT 13.60mm
- 3- LATCH HEIGHT 14.40mm.
- 4- SPRING PROBE PN#CS1-038AR-AR.
- 5- CONTACT FORCE 20g/PIN.
- 6- CONTACT MATERIAL BE-CU.
- 7- CONTACT PLATTING AU OVER NI.
- 8- COIL SPRING MATERIAL STAINLESS STEEL.
- 9- CONTACT RESISTANCE LESS THAN 100mOHM/PIN

CONTECH SOLUTIONS INC.

SUGGESTED FOOTPRINT AND CONTACT DETAIL FOR 79-LGA

CUSTOM SOCKET PN# CSLGA79-0.5-0.7-038-T11

DRAWN BY:
A - NOURI

SCALE: 5 ~ 1

DRAWING#

DATE: 12/02/2003

TYPE