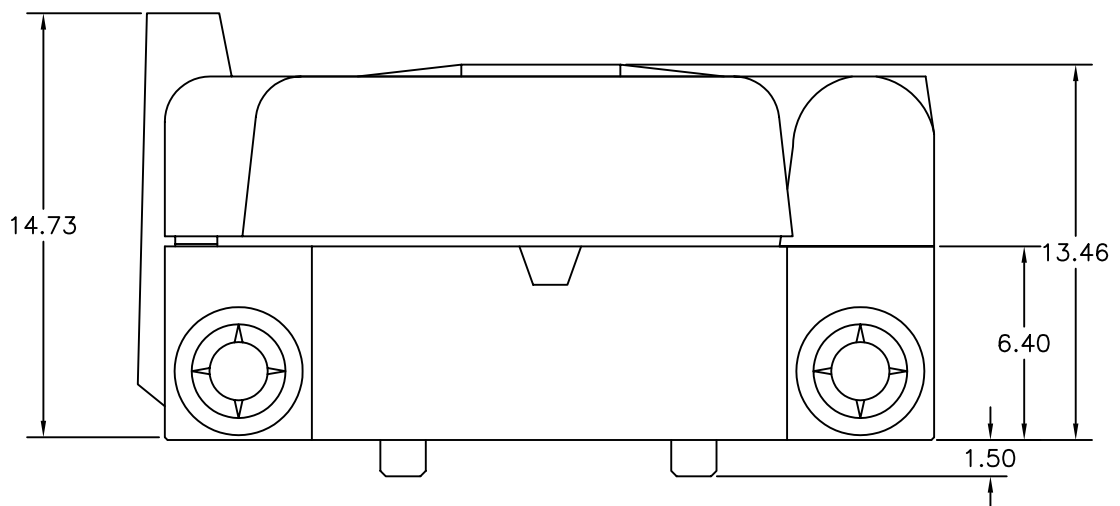
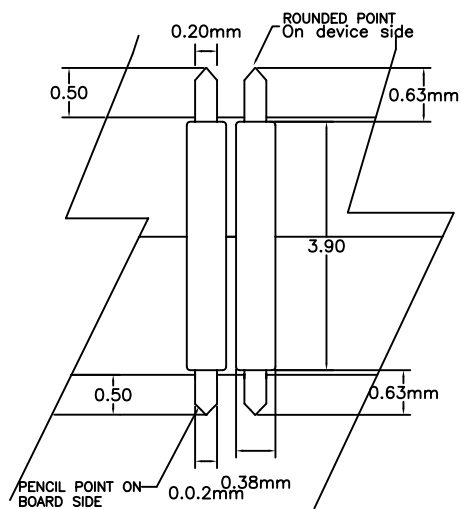
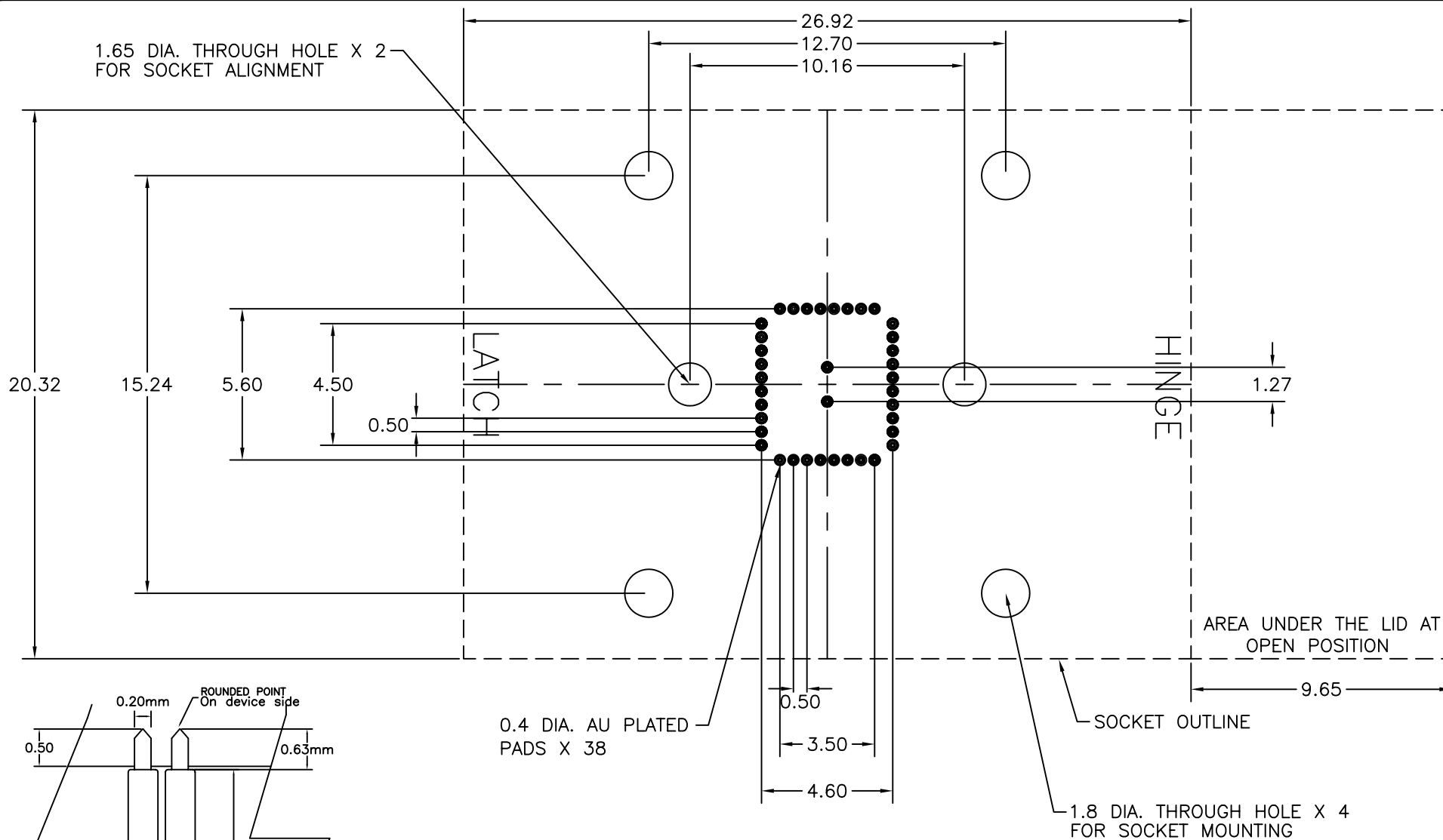


CONTACT DETAIL



CONTECH SOLUTIONS INC.		
36-QFN 0.5mm PITCH CUSTOM SOCKET PN# CSQFN36-0.5-038-TI1		
DRAWN BY: A - NOURI	SCALE: 4 ~ 1	REV#1
DRAWING#	DATE: 11/19/04	TYPE



CONTACT DETAIL

NOTES:

- 1- SUGGESTED BOARD LAY OUT.
- 2- OVERALL SOCKET HEIGHT 13.60mm
- 3- LATCH HEIGHT 14.40mm.
- 4- SPRING PROBE PN#CS1-038AR-AR.
- 5- CONTACT FORCE 20g/PIN.
- 6- CONTACT MATERIAL BE-CU.
- 7- CONTACT PLATTING AU OVER NI.
- 8- COIL SPRING MATERIAL STAINLESS STEEL.
- 9- CONTACT RESISTANCE LESS THAN 100mOHM/PIN

CONTECH SOLUTIONS INC.		
FOOTPRINT DRAWING FOR CUSTOM 36-QFN 0.5mm PITCH SOCKET PN# CSQFN36-0.5-038-T11		
DRAWN BY: A - NOURI	SCALE: 5 ~ 1	REV#0
DRAWING#	DATE: 12/02/2003	TYPE