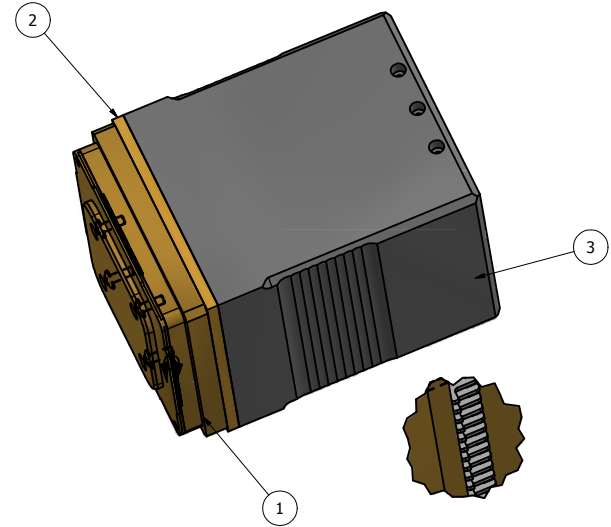
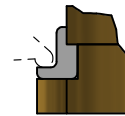
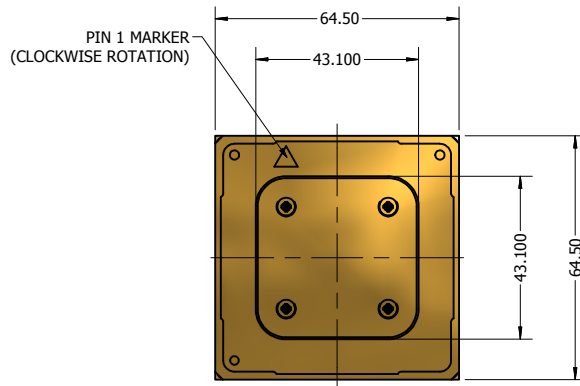


DETAIL A  
SCALE 3 : 1




DETAIL H  
SCALE 8:1



DETAIL B  
SCALE 12 : 1

PARTS LIST			
ITEM	QTY	PART NUMBER	DESCRIPTION
1	1	P-OTQ172(196)-0635-04-001	PROBEHEAD , ULTEM 1000
2	1	P-OTQ172(196)-0635-04-002	RECEPTACLE , ULTEM 1000
3	1	P-OTQ172(196)-0635-04-003	PROBE HANDLE , DELRIN

<small>UNLESS OTHERWISE SPECIFIED DIMENSIONS ARE IN MILLIMETERS</small>  <small>TOLERANCES DECIMALS .X ± .1 .XX ± .05 .XXX ± .030</small>  <small>ANGLES ±1°</small>	<small>DRAWN</small> V Mojica 12/21/2016	 Contech Solutions Incorporated 631 Montague avenue San Leandro, Ca 94577		
	<small>CHECKED</small> QA 1/18/2017			
	<small>MFG</small> MFG			
	<small>APPROVED</small> APPROVED			
	<small>MATERIAL</small> MATERIAL			
<small>TITLE</small> DRAWING FOR CUSTOM PROBE P-OTQ172(196)-0.635-04		<small>SIZE</small> C	<small>DWG NO</small> P-OTQ172(196)-0.635-04	<small>REV</small> A2
<small>SCALE</small>		<small>SHEET 1 OF 1</small>		