


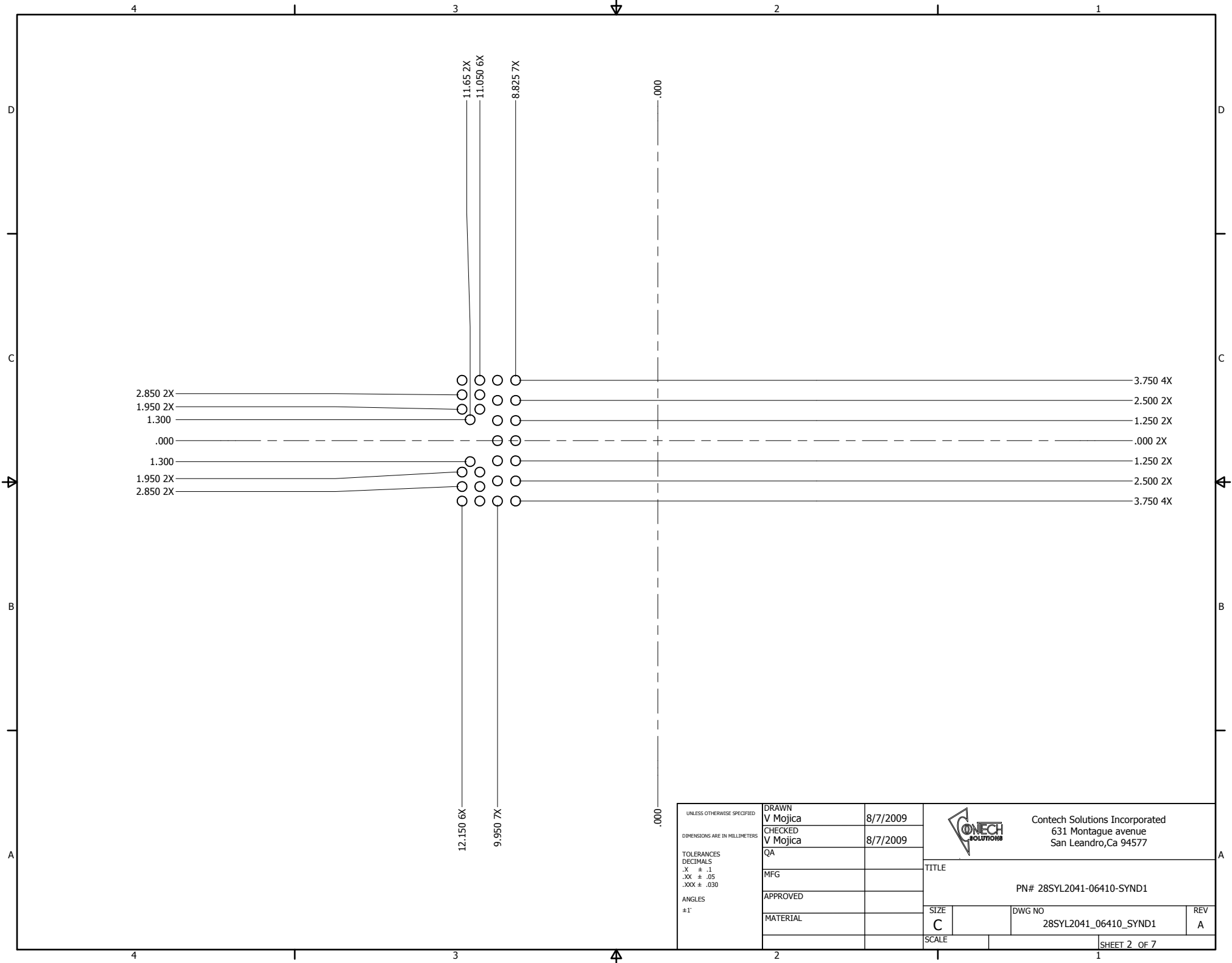
Ø2.38 THRU
FOR SOCKET MOUNTING 4X


Ø1.620 ^{+.030}/_{-.000} THRU NON PLATED
FOR SOCKET ALIGNMENT 2X

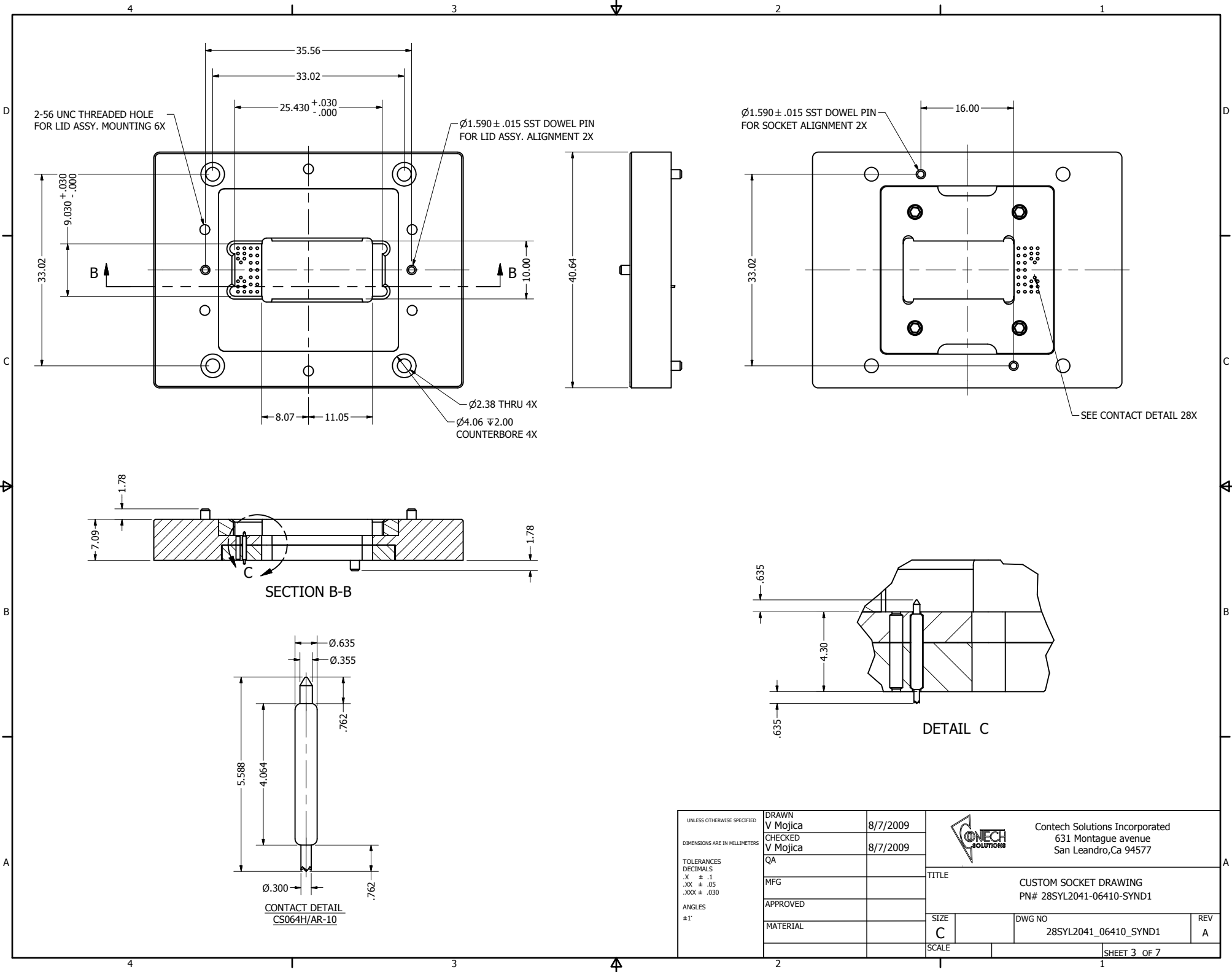
SUGESTED P.C.B. PATTERN
TOP VIEW


Ø.60 PAD PLATING
50uIN Au/ 150uIN Ni 28X

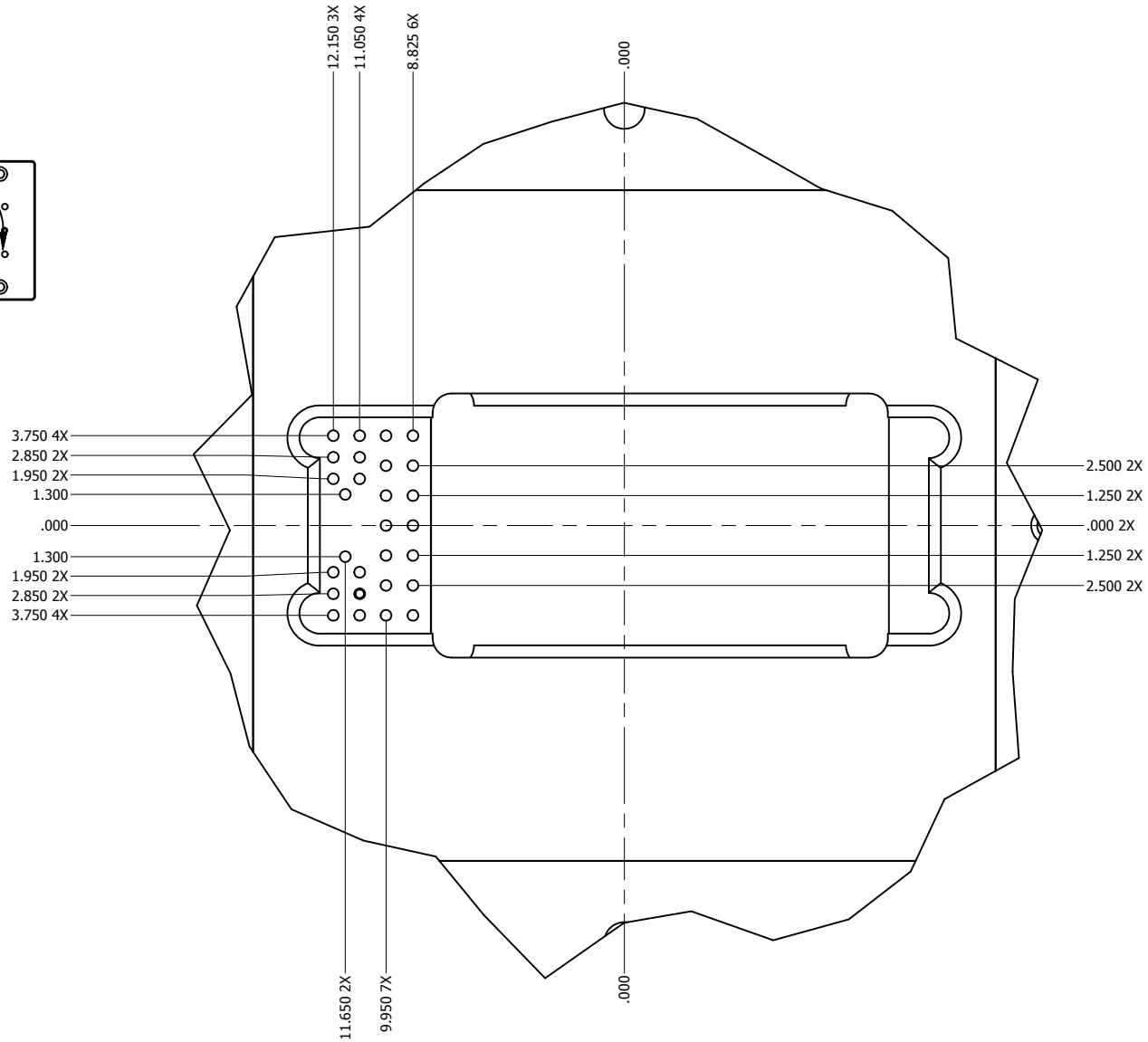
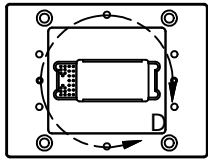
UNLESS OTHERWISE SPECIFIED DIMENSIONS ARE IN MILLIMETERS TOLERANCES DECIMALS .X ± .1 .XX ± .05 .XXX ± .030 ANGLES ±1'	DRAWN V Mojica	8/7/2009	 Contech Solutions Incorporated 631 Montague avenue San Leandro, Ca 94577	
	CHECKED V Mojica	8/7/2009		
	QA		TITLE CUSTOM FOOTPRINT DRAWING PN# 28SYL2041-06410-SYND1	
	MFG		SIZE C	DWG NO 28SYL2041_06410_SYND1
APPROVED		SCALE	SHEET 1 OF 7	
MATERIAL				




UNLESS OTHERWISE SPECIFIED DIMENSIONS ARE IN MILLIMETERS TOLERANCES DECIMALS .X ± .1 .XX ± .05 .XXX ± .030 ANGLES ±1'	DRAWN V Mojica	8/7/2009	 Contech Solutions Incorporated 631 Montague avenue San Leandro, Ca 94577	
	CHECKED V Mojica	8/7/2009		
	QA		TITLE	
	MFG		PN# 28SYL2041-06410-SYND1	
APPROVED		SIZE	DWG NO	REV
MATERIAL		C	28SYL2041_06410_SYND1	A
SCALE			SHEET 2 OF 7	

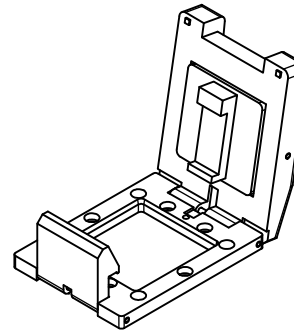
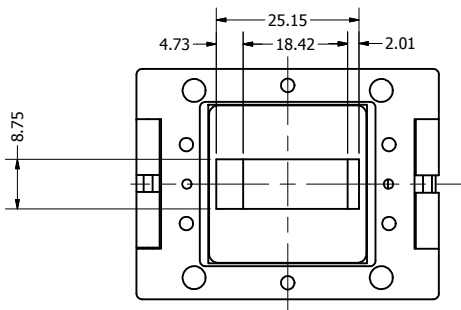
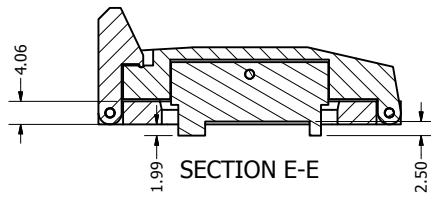
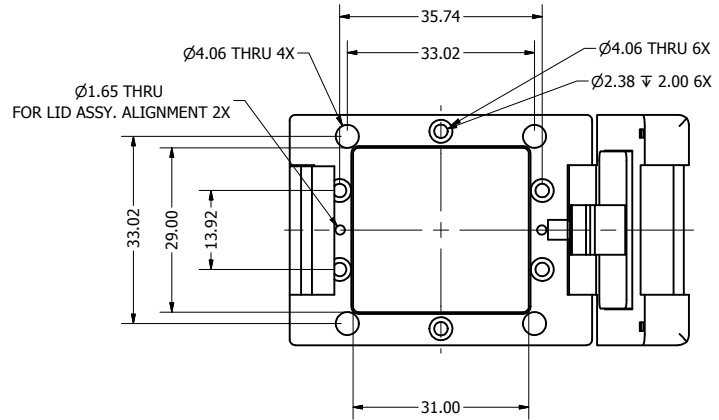
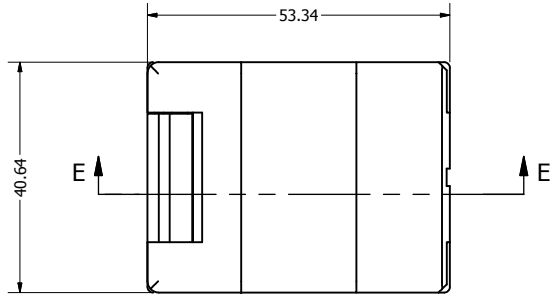



UNLESS OTHERWISE SPECIFIED DIMENSIONS ARE IN MILLIMETERS TOLERANCES DECIMALS .X \pm .1 .XX \pm .05 .XXX \pm .030 ANGLES \pm 1'	DRAWN	V Mojica	8/7/2009	 Contech Solutions Incorporated 631 Montague avenue San Leandro, Ca 94577				
	CHECKED	V Mojica	8/7/2009					
	QA			TITLE	CUSTOM SOCKET DRAWING PN# 28SYL2041-06410-SYND1			
	MFG			SIZE	C	DWG NO	28SYL2041_06410_SYND1	REV
APPROVED			MATERIAL		SCALE		SHEET 3 OF 7	

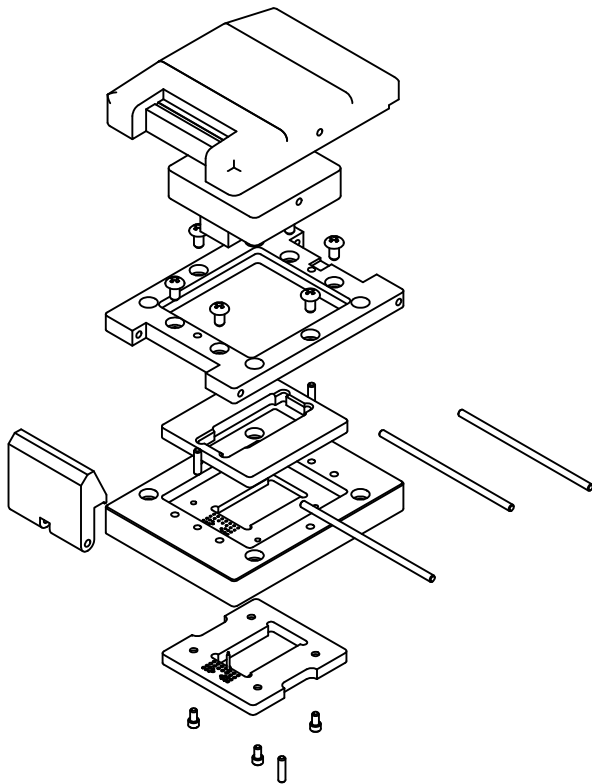



DETAIL D

UNLESS OTHERWISE SPECIFIED DIMENSIONS ARE IN MILLIMETERS TOLERANCES DECIMALS .X ± .1 .XX ± .05 .XXX ± .030 ANGLES ±1°	DRAWN V Mojica 8/7/2009	 Contech Solutions Incorporated 631 Montague avenue San Leandro, Ca 94577		
	CHECKED V Mojica 8/7/2009			
	QA	TITLE PN# 28SYL2041-06410-SYND1		
	MFG	SIZE C	DWG NO 28SYL2041_06410_SYND1	REV A
	APPROVED	SCALE SHEET 4 OF 7		
	MATERIAL			



UNLESS OTHERWISE SPECIFIED DIMENSIONS ARE IN MILLIMETERS TOLERANCES DECIMALS .X ± .1 .XX ± .05 .XXX ± .030 ANGLES ±1'	DRAWN V Mojica	8/7/2009	 Contech Solutions Incorporated 631 Montague avenue San Leandro, Ca 94577	
	CHECKED V Mojica	8/7/2009		
	QA		TITLE CUSTOM LID ASSEMBLY PN# 28SYL2041-06410-SYND1	
	MFG		SIZE C	DWG NO 28SYL2041_06410_SYND1
APPROVED		SCALE	SHEET 5 OF 7	
MATERIAL				



UNLESS OTHERWISE SPECIFIED DIMENSIONS ARE IN MILLIMETERS TOLERANCES DECIMALS .X ± .1 .XX ± .05 .XXX ± .030 ANGLES ±1'	DRAWN V Mojica	8/7/2009	 Contech Solutions Incorporated 631 Montague avenue San Leandro, Ca 94577	
	CHECKED V Mojica	8/7/2009		
	QA		TITLE	
	MFG		ASSEMBLY DRAWING PN# 28SYL2041-06410-SYND1	
APPROVED		SIZE	DWG NO	REV
MATERIAL		C	28SYL2041_06410_SYND1	A
SCALE			SHEET 6 OF 7	

4

3

2

1

D

D

C

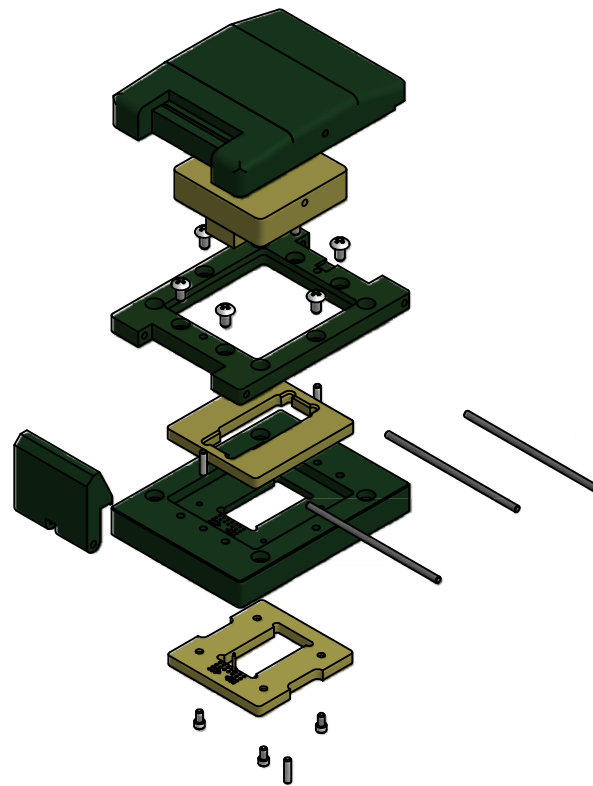
C


B

B

A

A



UNLESS OTHERWISE SPECIFIED DIMENSIONS ARE IN MILLIMETERS TOLERANCES DECIMALS .X ± .1 .XX ± .05 .XXX ± .030 ANGLES ±1'	DRAWN V Mojica	8/7/2009	 Contech Solutions Incorporated 631 Montague avenue San Leandro, Ca 94577	
	CHECKED V Mojica	8/7/2009		
	QA		TITLE	
	MFG		ASSEMBLY DRAWING PN# 28SYL2041-06410-SYND1	
APPROVED		SIZE	DWG NO	REV
MATERIAL		C	28SYL2041_06410_SYND1	A
		SCALE	SHEET 7 OF 7	