


SUGGEST BOARD LAY OUT
TOP VIEW

NOTES:
 1-ALL DIMENSIONS IN MILLIMETERS
 2-DIMENSIONS TOLERANCES +/- 0.05MM, UNLESS OTHERWISE SPECIFIED

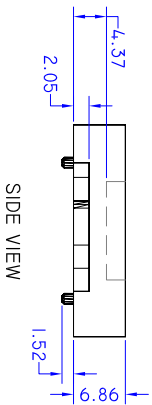
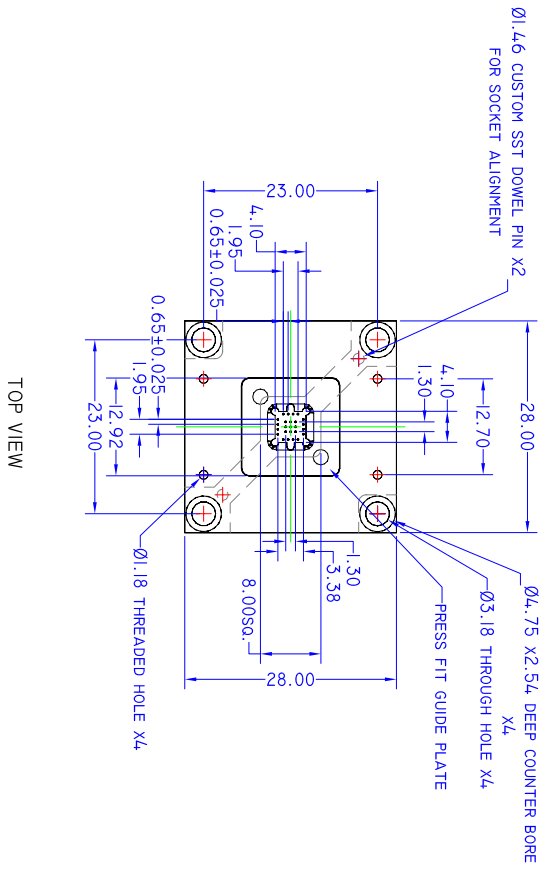


CONTECH SOLUTIONS INC.

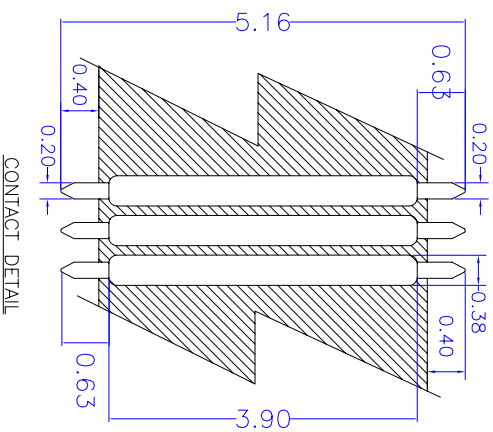
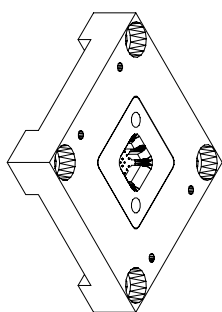
FOOTPRINT DRAWING FOR CUSTOM SOCKET

CSQFN16-0.65-038-07-PHILI


DRAWN BY: V.-MOJICA	SCALE: NOT TO SCALE
DATE 12/16/05	REV# -/-
DRWG # CS121605-1	TYPE -/-

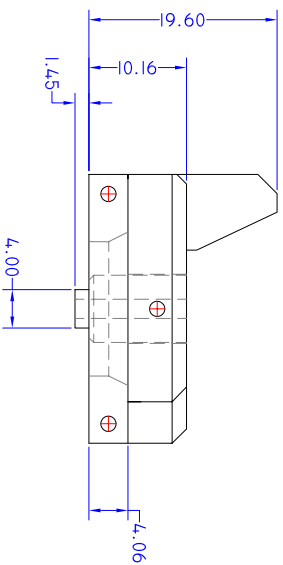
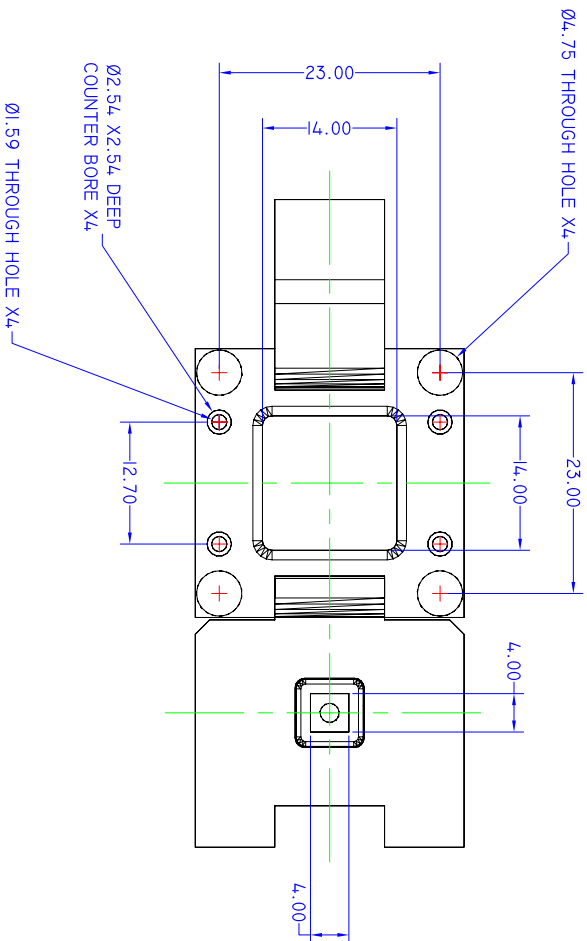
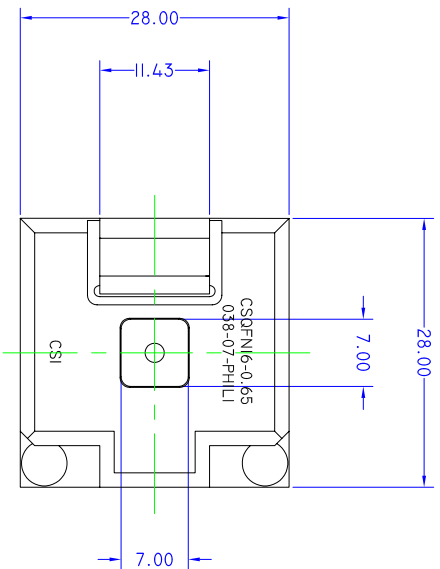


- NOTES:
- 1- ALL DIMENSIONS IN mm. ALL TOLERANCES +/-0.05mm.
 - 2- CONTACT MATERIAL FULLY HARDENED BE-CU.
 - 3- CONTACT PLATING 0.25um NI-AU.
 - 4- CONTACT PART# CS1-038AR/AR
 - 5- BASE MATERIAL TORLON 4203.
 - 7- CONTACT LIFE >500,000
 - 8- MAXIMUM CURRENT 3.0A CONTINUOUS.
 - 9- CONTACT FORCE 18g/CONTACT.
 - 10- MAXIMUM CONTACT DEFLECTION 0.5mm ON EACH SIDE.
 - 11- CONTACT SELF INDUCTANCE 1.2nH.
 - 12- MUTUAL INDUCTANCE BETWEEN 2 ADJACENT CONTACTS 0.16nH
 - 13- 1DB SIGNAL LOSS AT 4.6GHZ.



CONTECH SOLUTIONS INC.

		CUSTOM SOCKET FOR 16 QFN 0.65MM PITCH	
		P#CSQFN16-0.65-038-07-PHILL	
DRWN BY:	V.-MOJICA	SCALE:	NOT TO SCALE
DATE:	12/16/05	REV#:	-/-
Drawg #	CS121605-2	TYPE	-/-



- NOTES:
- 1- LID ASSEMBLY MATERIAL, BLACK ULTEM.
 - 2- LID ASSEMBLY CAN BE REMOVED VIA 4 SCREWS
 - 3- ALL DIMENSIONS IN mm.
 - 4- ALL TOLERANCES +/-0.05

CONTECH SOLUTIONS INC.

LID ASSEMBLY QFN16 0.65MM PITCH DEVICE

PN#CSQFN16-0.65-038-07-PHLL

DRAWN BY: V.-MOJICA

SCALE: DO NOT SCALE

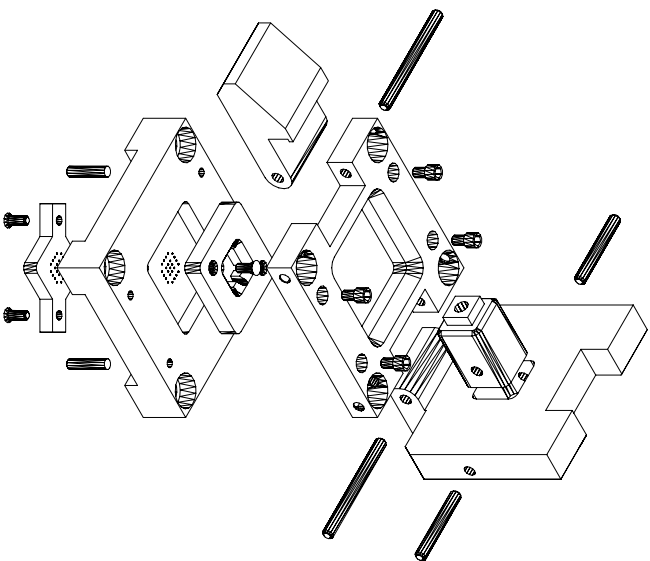
REV# -/-

DRWG # CS121605-3

DATE 12/16/05

TYPE -/-





CONTECH SOLUTIONS INC.

CUSTOM SOCKET FOR 16 QFN 0.65MM PITCH

P#CSQFN16-0.65-038-07-PHILL

DRAWN BY: V.-MOJICA

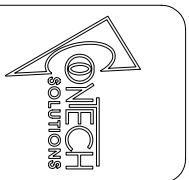
SCALE: NOT TO SCALE

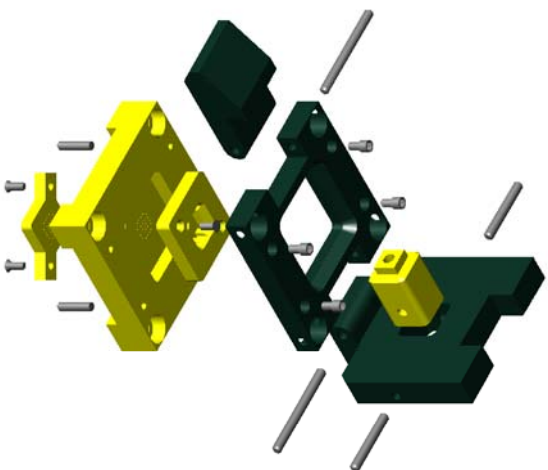
DATE: 12/16/05

DRWG # CS121605-4

REV# -/-

TYPE -/-





CONTECH SOLUTIONS INC.

CUSTOM SOCKET FOR 16 QFN 0.65MM. PITCH

P#CSQFN16-0.65-038-07-PHILL

DRAWN BY: V.-MOJICA

SCALE: NOT TO SCALE

DATE: 12/16/05

REV# -/-

TYPE -/-

DRWG # CS121605-5

