

SUGGEST BOARD LAY OUT  
TOP VIEW

UNLESS OTHERWISE SPECIFIED		DESIGN BY	V MOJICA	DATE	07/12/07
DIMENSIONS ARE IN MILLIMETERS		DRAWN BY	V MOJICA	DATE	07/12/07
TOLERANCES:		CHK BY		DATE	
DECIMALS	±0.1	APVD BY		DATE	
XX	±0.05	APVD BY		DATE	
XXX	±0.030	APVD BY		DATE	
MATERIAL		FINISH			

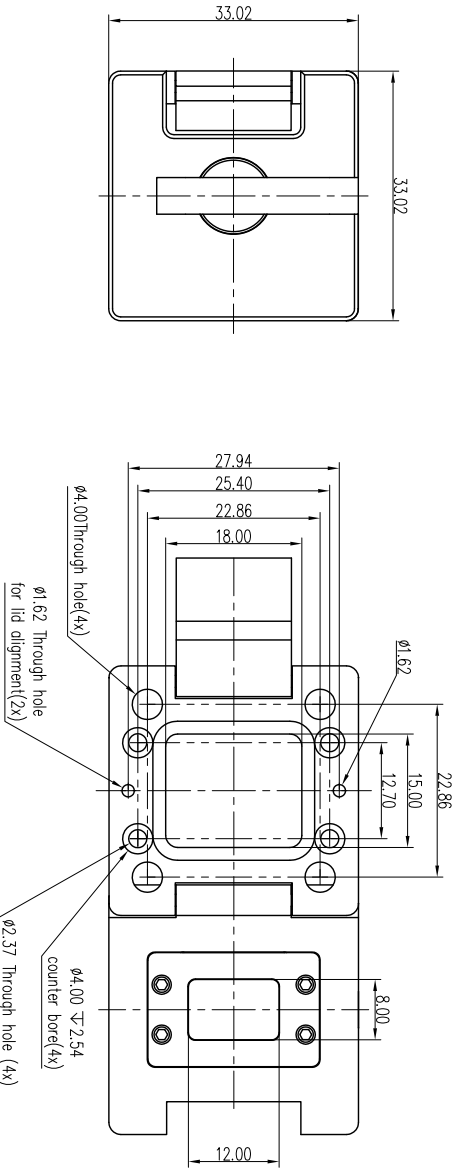


Omnetech Solutions Incorporated  
631 Monticue Avenue  
San Leandro, CA 94577

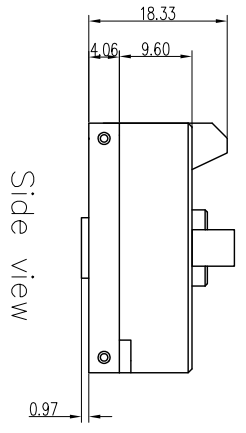
Footprint drawing for 72 pins  
PN# CSDFN72-CS2503-07-SER1

FSQM #	DRAWING #	REV
---	CS0707SER1_FTP	---
SCALE	SHEET	OF
---	1	1





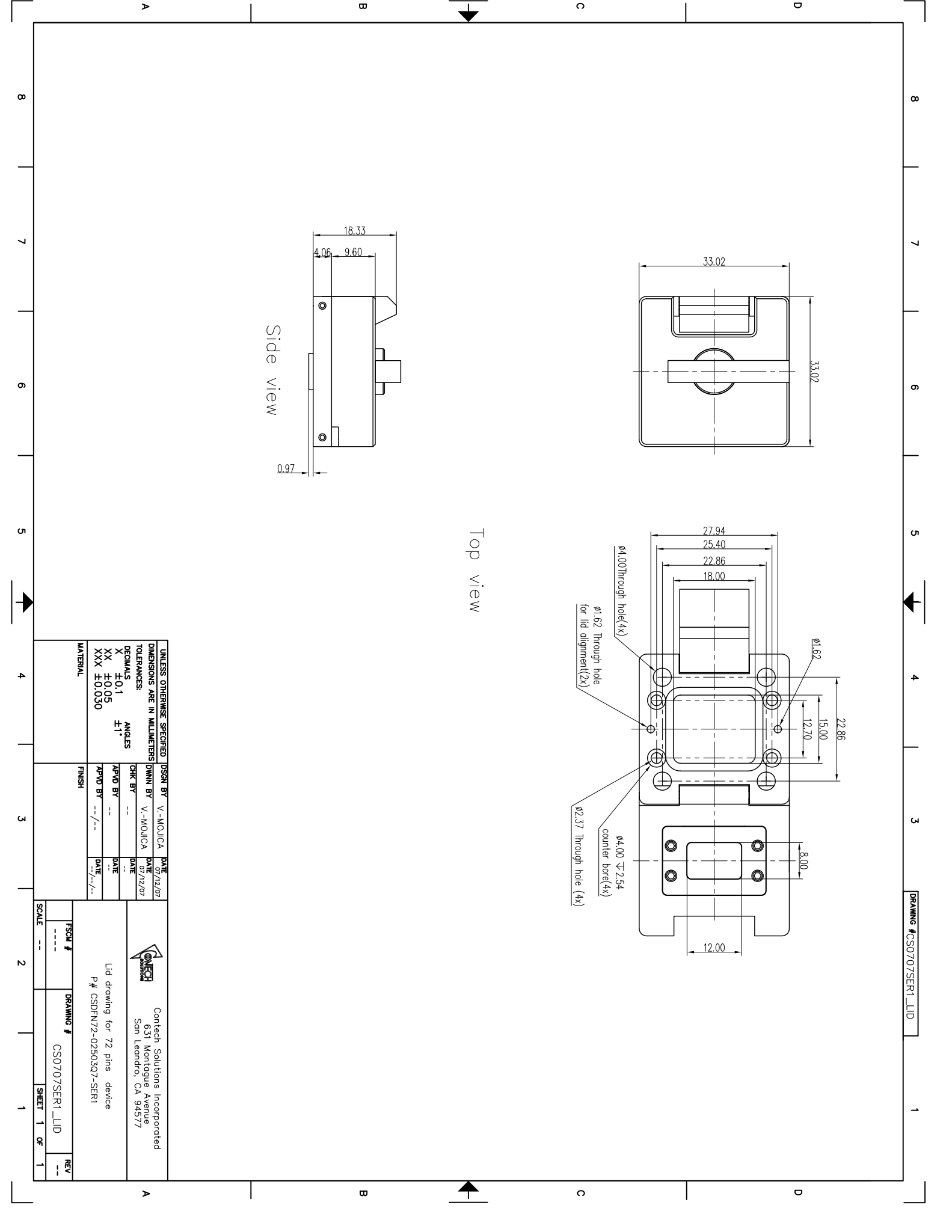
Top view

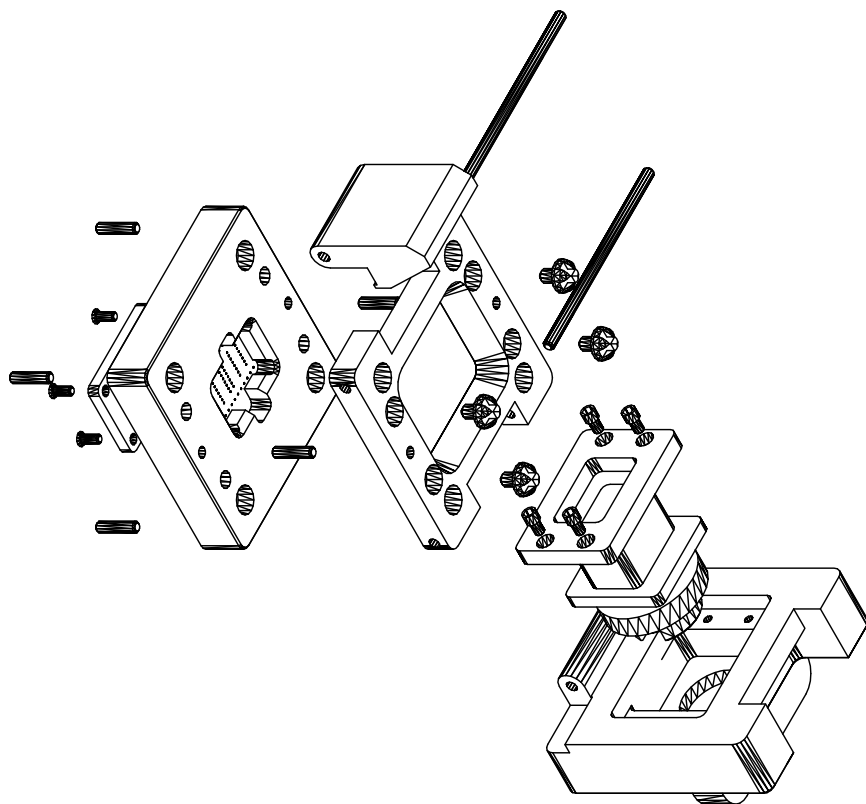


Side view


UNLESS OTHERWISE SPECIFIED		DESIGN BY	V.-MOJICA	DATE	07/12/07
DIMENSIONS ARE IN MILLIMETERS		DRAWN BY	V.-MOJICA	DATE	07/12/07
TOLERANCES:		CHK BY	--	DATE	--
DECIMALS	±0.1	APP'D BY	--	DATE	--
X	±0.05	APP'D BY	--/--	DATE	--/--
XX	±0.05				
XXX	±0.030				
MATERIAL		FINISH			

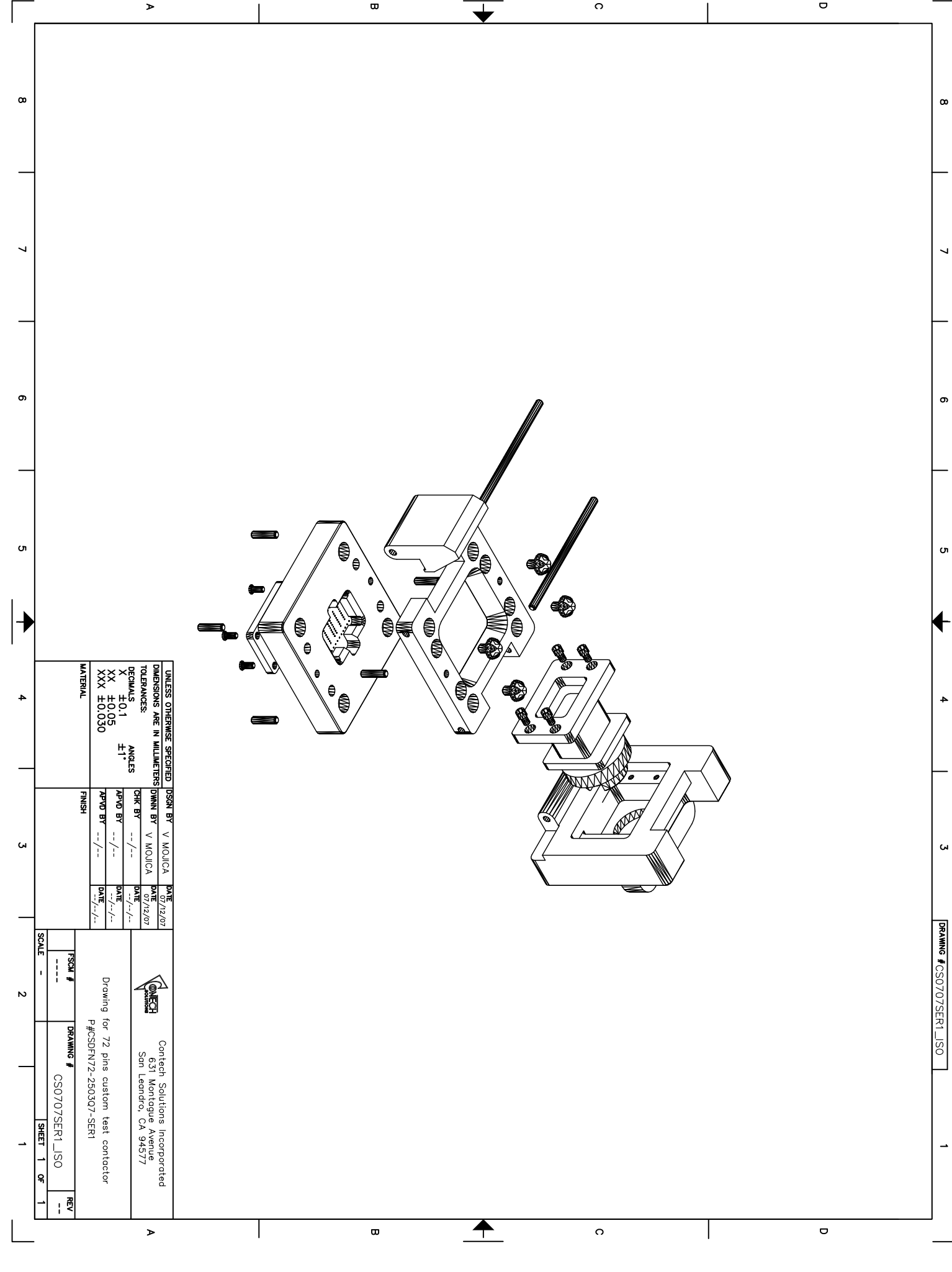
<p>Ortech Solutions Incorporated 6311 Montague Avenue San Leandro, CA 94577</p>		LID drawing for 72 pins device P# CSDFN72-0250307-SER1	
FSQM #	---	DRAWING #	CS0707SER1_LID
SCALE	---	SHEET	1 OF 1

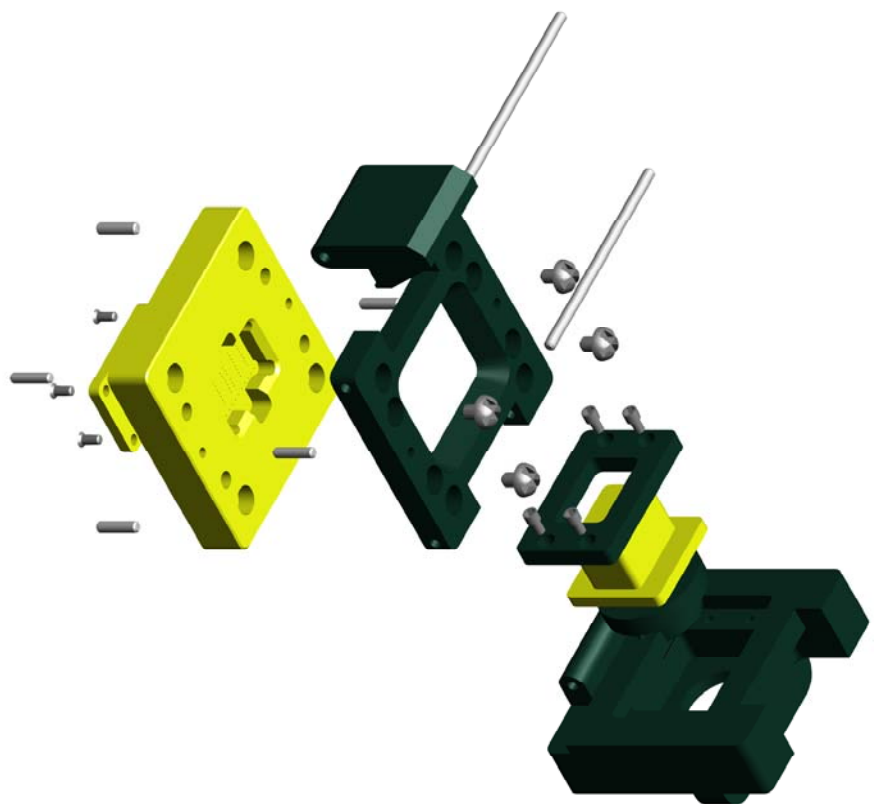





UNLESS OTHERWISE SPECIFIED		DESIGN BY V. MOJICA		DATE 07/12/07	
DIMENSIONS ARE IN MILLIMETERS		DRAWN BY V. MOJICA		DATE 07/12/07	
TOLERANCES:		CHK BY		DATE	
DECIMALS ±0.1		APVD BY		DATE	
X ±0.05		APVD BY		DATE	
XXX ±0.030		APVD BY		DATE	
MATERIAL		FINISH			

 <p>Contech Solutions Incorporated 631 Montague Avenue San Leandro, CA 94577</p>		Drawing for 72 pins custom test contactor P#CSDFN72-250307-SER1	
FSQM #	DRAWING #	REV	
---	CS0707SER1_ISO	--	
SCALE		SHEET	1 OF 1
--			





UNLESS OTHERWISE SPECIFIED		DESIGN BY V. MOJICA		DATE 07/12/07	
DIMENSIONS ARE IN MILLIMETERS		DRAWN BY V. MOJICA		DATE 07/12/07	
TOLERANCES:		CHK BY		DATE	
DECIMALS ±0.1		APVD BY		DATE	
X ±0.05		APVD BY		DATE	
XXX ±0.030		APVD BY		DATE	
MATERIAL		FINISH			

 <p>Contech Solutions Incorporated 6311 Monticue Avenue San Leandro, CA 94577</p>		Drawing for 72 pins custom test contactor P#CSDFN72-250307-SER1	
FSQM #	DRAWING #	REV	
---	CS0707SER1_LS02	--	
SCALE	SHEET	OF	
--	1	1	

