


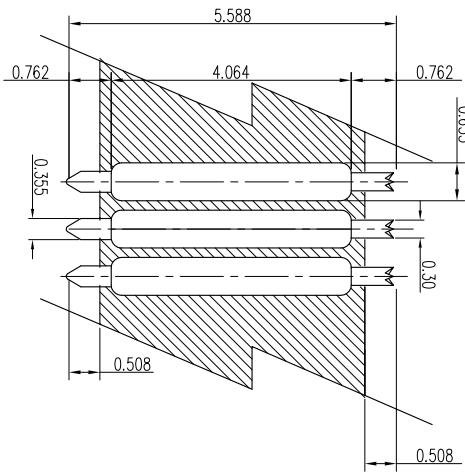
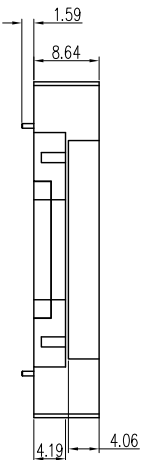
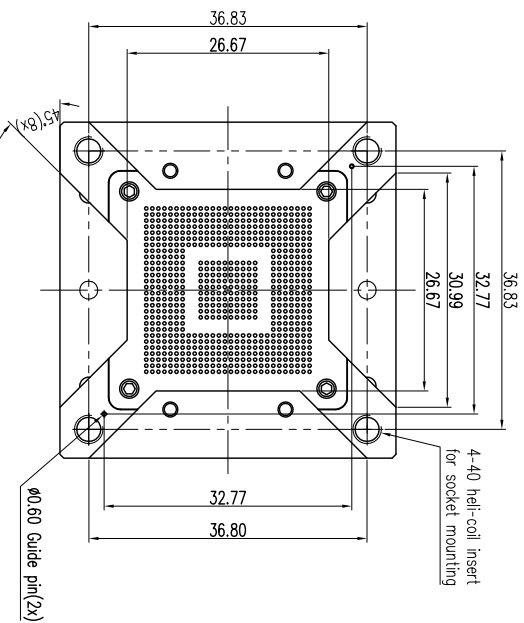
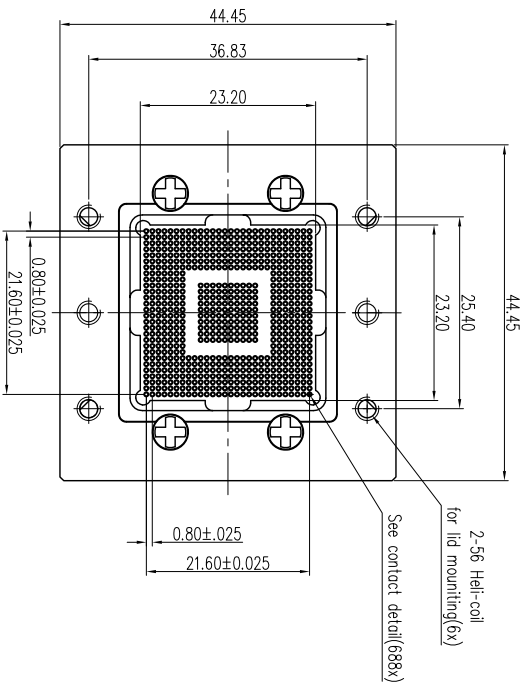
SUGGEST BOARD LAY OUT
TOP VIEW

UNLESS OTHERWISE SPECIFIED		DESIGN BY	V. MOJICA	DATE	07/27/07
DIMENSIONS ARE IN MILLIMETERS		DRAWN BY	V. MOJICA	DATE	07/27/07
TOLERANCES:		CHK BY		DATE	
DECIMALS	±0.1	APVD BY		DATE	
XX	±0.05	APVD BY		DATE	
XXX	±0.025	APVD BY		DATE	
MATERIAL		FINISH			


 Contech Solutions Incorporated
 631 Montague Avenue
 San Leandro, CA 94577

Footprint drawing for 688 BGA pins 0.80mm pitch
 PN# CSBGA688-0.80-064-10-T11


FSQM #	DRAWING #	REV
---	CS0707112_FTP	---
SCALE	SHEET	OF
---	1	1



CONTACT DETAIL

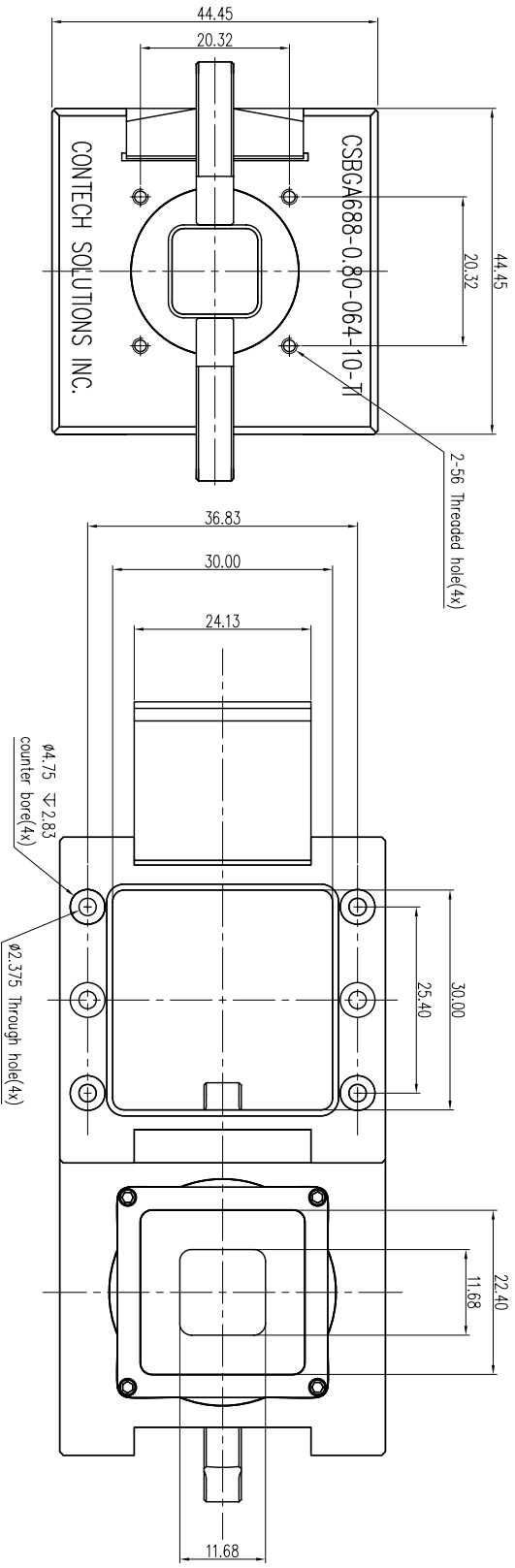
- NOTES:
- 1-CONTACT PRECISION PROBES PART#CS1-064.
 - 2-MAXIMUM CONTACT TRAVEL 0.508mm. ON EACH SIDE.
 - 3-CONTACT PLATING GOLD OVER NICKLE.
 - 4-CONTACT MATERIAL FULL HARDENED BE-CU.
 - 5-CONTACT SPRING MATERIAL SST.
 - 6-OPERATING TEMPERATURE -40 TO 160 DEG. C.
 - 7-CONTACT SELF INDUCTANCE 1.2nH.
 - 8- -1DB SIGNAL LOSS AT 4.6GHZ.
 - 9-CONTACT LIFE 500K INSERTIONS.
 - 10-CONTACT RESISTANCE LESS THAN 100mOHM.

UNLESS OTHERWISE SPECIFIED		DESIGN BY V. MOJICA		DATE 07/27/07	
DIMENSIONS ARE IN MILLIMETERS		DRAWN BY V. MOJICA		DATE 07/27/07	
TOLERANCES:		CHK BY		DATE	
DECIMALS	±0.1	APVD BY	APVD BY	DATE	DATE
XX	±0.05	APVD BY	APVD BY	DATE	DATE
XXX	±0.025	APVD BY	APVD BY	DATE	DATE
MATERIAL		FINISH			

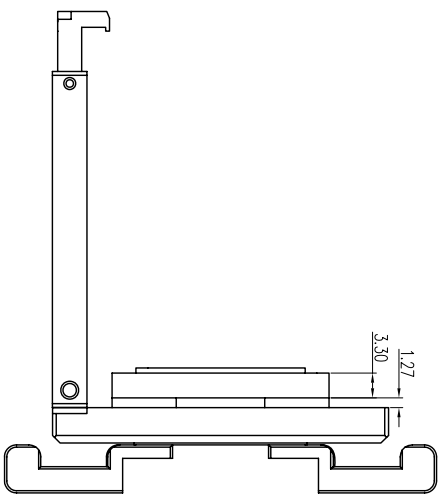
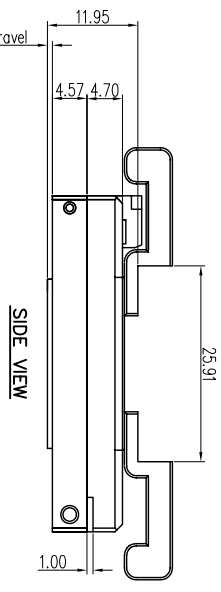

 Corntech Solutions Incorporated
 631 Monticue Avenue
 San Leandro, CA 94577

Socket drawing for 688 pins 0.80mm. pitch
 PN# CSBGA688-0-80-064-10-111

FSCM #	DRAWING #	REV
---	CS0707112_SKT	---
SCALE	SHEET	OF
---	1	1



TOP VIEW

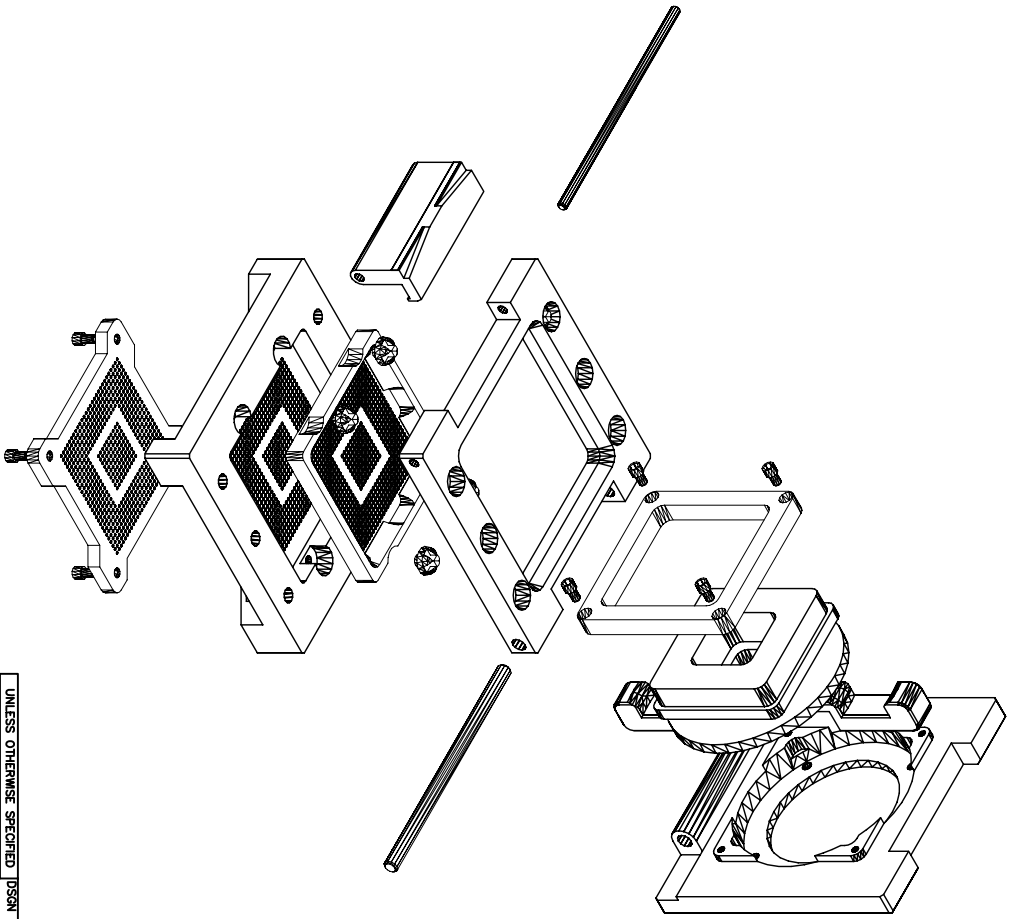


UNLESS OTHERWISE SPECIFIED		DESIGN BY V. MOJICA		DATE 07/27/07	
DIMENSIONS ARE IN MILLIMETERS		DRAWN BY V. MOJICA		DATE 07/27/07	
TOLERANCES:		CHK BY		DATE	
DECIMALS ±0.1		APVD BY		DATE	
XX ±0.05		APVD BY		DATE	
XXX ±0.025		APVD BY		DATE	
MATERIAL		FINISH			


Contech Solutions Incorporated
 631 Montague Avenue
 San Leandro, CA 94577

Lid drawing for 688 pins 0.80mm. pitch
 PN# CSBGA688-0.80-064-10-11

FSM #	DRAWING #	REV
---	CS0707112_LID	---
SCALE	SHEET	OF
---	1	1

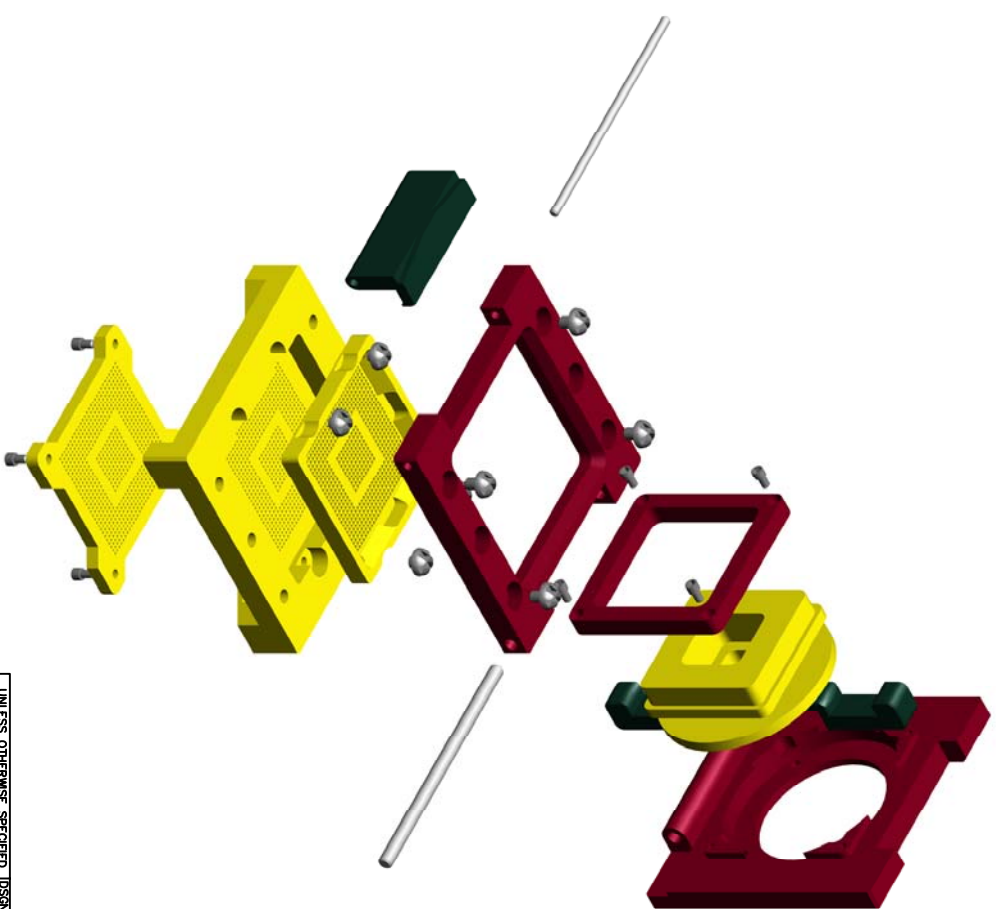


UNLESS OTHERWISE SPECIFIED		DESIGN BY V. MOJICA		DATE 07/27/07	
DIMENSIONS ARE IN MILLIMETERS		DRAWN BY V. MOJICA		DATE 07/27/07	
TOLERANCES:		CHK BY --/--		DATE --/--	
DECIMALS ±0.1		APVD BY --/--		DATE --/--	
X ±0.05		APVD BY --/--		DATE --/--	
XXX ±0.025		APVD BY --/--		DATE --/--	
MATERIAL		FINISH			



 Cortech Solutions Incorporated
 631 Montague Avenue
 San Leandro, CA 94577

Socket drawing for 688 pins 0.80mm. pitch
 PN# CSBGA688-0-80-064-10-111

FSQM #	DRAWING #	REV
---	CS0707112_ISO	--
SCALE	SHEET	OF
---	1	1



UNLESS OTHERWISE SPECIFIED		DESIGN BY	V. MOJICA	DATE	07/27/07
DIMENSIONS ARE IN MILLIMETERS		DRAWN BY	V. MOJICA	DATE	07/27/07
TOLERANCES:		CHK BY	--/--	DATE	--/--/--
DECIMALS	±0.1	APP'D BY	--/--	DATE	--/--/--
X	±0.05	APP'D BY	--/--	DATE	--/--/--
XXX	±0.025	FINISH			
MATERIAL					


 Cortech Solutions Incorporated
 6311 Montague Avenue
 San Leandro, CA 94577

Socket drawing for 688 pins 0.80mm. pitch
 PN# CSBGA688-0-80-064-10-111

FSQM #	DRAWING #	REV
---	CS0707112_IS02	--
SCALE	SHEET	OF
--	1	1