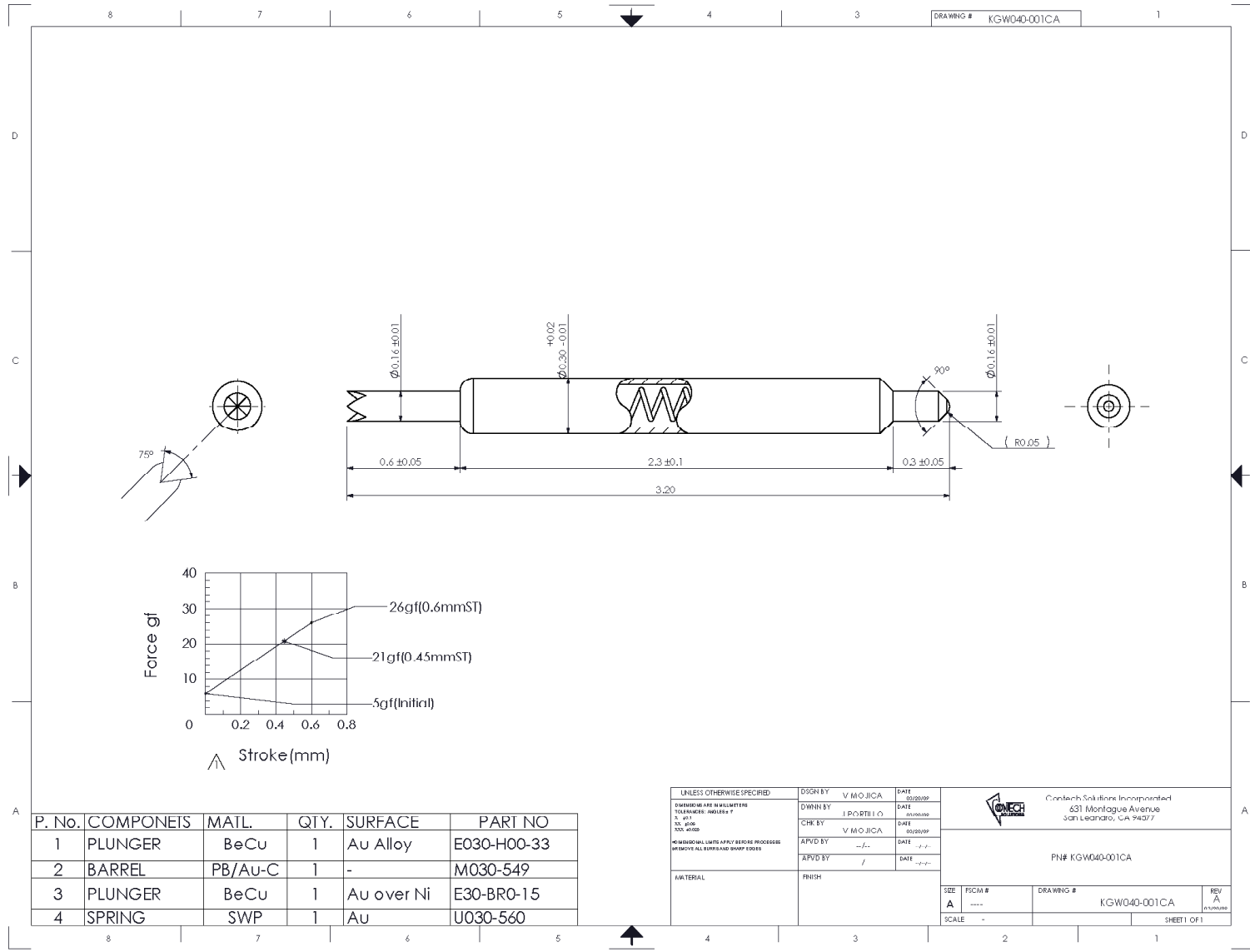


# KG1-030H-AR-1



P. No.	COMPONEIS	MATL.	QTY.	SURFACE	PART NO
1	PLUNGER	BeCu	1	Au Alloy	E030-H00-33
2	BARREL	PB/Au-C	1	-	M030-549
3	PLUNGER	BeCu	1	Au over Ni	E30-BR0-15
4	SPRING	SWP	1	Au	U030-560

UNLESS OTHERWISE SPECIFIED		DESIGN BY	V. MOJICA	DATE	02/28/09
DIMENSIONS ARE IN MILLIMETERS TOLERANCES UNLESS NOTED		DRAWN BY	J. PORTILLO	DATE	03/03/09
G.D. & DIM.		CHECK BY	V. MOJICA	DATE	02/28/09
DIMENSIONAL LIMITS APPLY AFTER PROCESSING REMOVE ALL BURRS AND SHARP EDGES		APVD BY	-/-	DATE	-/-
MATERIAL		APVD BY	/	DATE	-/-
FINISH		Contactech Solutions Incorporated 631 Montague Avenue San Leandro, CA 94677  PN# KGW040-001CA			
SIZE	FIGM #	DRAWING #		REV	
A	----	KGW040-001CA		A	
SCALE		-		SHEET 1 OF 1	



# KG1-030H-AR-1

Pitch	0.4mm pitch or greater
Total Length	3.2mm
Use Length	2.75mm
Use Stroke	0.45mm
Recommended Top Plunger Stroke	0.3mm
Recommended Bottom Plunger Stroke (Pre-load)	0.15mm
Max Stroke	0.6mm
Spring Force at Use Stroke	21gf at 0.45mm stroke
Operating Temperature	-40 to 120°C
DC Resistance	<50mOhm average at 0.45mm stroke
Current Rating	1.5A max
Self Inductance	0.87nH
Bandwidth @ -1dB	11.1Ghz
Top Plunger	Diameter 0.16mm / Length 0.6mm / Hardened BeCu / Au Alloy Plating
Bottom Plunger	Diameter 0.16mm / Length 0.3mm / Hardened BeCu / Gold Plating
Barrel	Diameter 0.30mm / Length 2.3mm / Au Clad
Spring	Music Wire / Gold Plating
Life cycle	100,000 cycles at 0.15mm(Pre-load) to 0.45mm st (Use stroke)

