

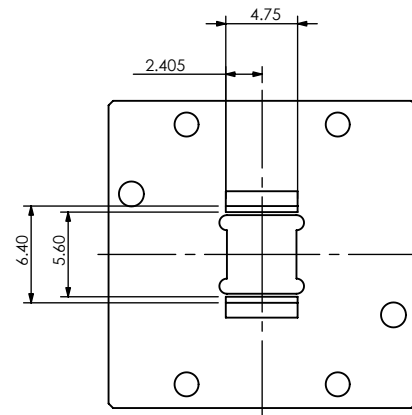
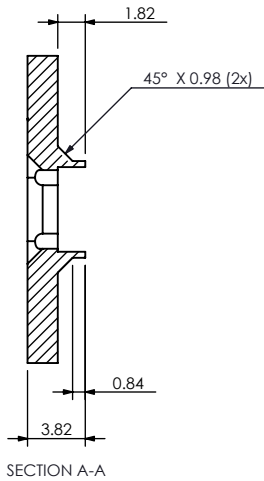
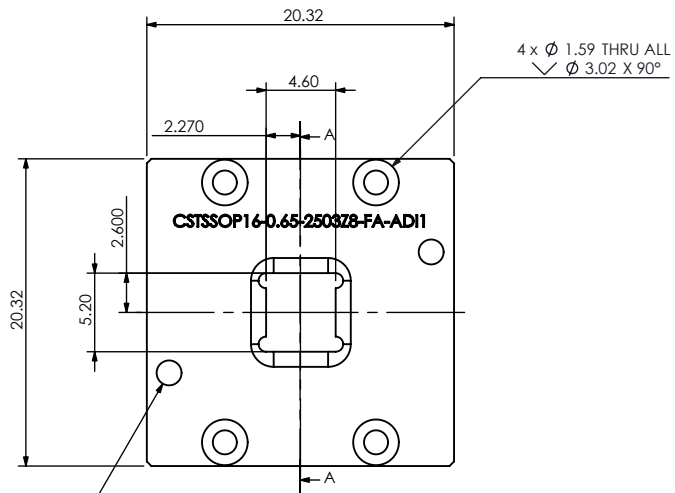
UNLESS OTHERWISE SPECIFIED DIMENSIONS ARE IN MILLIMETERS TOLERANCES: ANGLES ± 1° X .X01 XX .X05 XXX .X025 DIMENSIONAL LIMITS APPLY BEFORE PROCESSES REMOVE ALL BURRS AND SHARP EDGES MATERIAL:	DSGN BY	V MOJICA	DATE	12/16/08
	DWNN BY	J PORTILLO	DATE	12/16/08
	CHK BY	V MOJICA	DATE	12/16/08
	APVD BY	--/--	DATE	--/--
	APVD BY	--/--	DATE	--/--
	FINISH			



Contech Solutions Incorporated
 631 Montague Avenue
 San Leandro, CA 94577

Footprint drawing for semi custom socket
 PN# CSTSSOP16-0.65-250328-FA-AD11

SIZE	FSCM #	DRAWING #	REV
A	----	CSTSSOP16_0.65_FA_AD11_FTP	A
SCALE	-		12/16/08



ϕ 1.650 \pm 0.015 Sst dowel pin
for lid mounting (2x)

UNLESS OTHERWISE SPECIFIED DIMENSIONS ARE IN MILLIMETERS TOLERANCES: ANGLES \pm 1° X .051 XX .05 XXX .025 DIMENSIONAL LIMITS APPLY BEFORE PROCESSES REMOVE ALL BURRS AND SHARP EDGES MATERIAL Black Ultem	DSGN BY	V MOJICA	DATE	12/16/08
	DWNN BY	J PORTILLO	DATE	12/16/08
	CHK BY	V MOJICA	DATE	12/16/08
	APVD BY	--	DATE	--
	APVD BY	--	DATE	--
	FINISH			



Contech Solutions Incorporated
 631 Montague Avenue
 San Leandro, CA 94577

Lid drawing for custom socket
 CSTCCOP16-0.65-2503Z8-FA-AD11

SIZE	FSCM #	DRAWING #	REV
A	----	CSTSSOP16_0.65_FA_AD11_LID	A
SCALE	-		12/16/08
			SHEET 3 OF 3